

Scope of Supply/Bill of Material & Mounting Drawings

Part Number: KTM390-04-01

Part Description: Top Rack –KTM 390 ADVENTURE

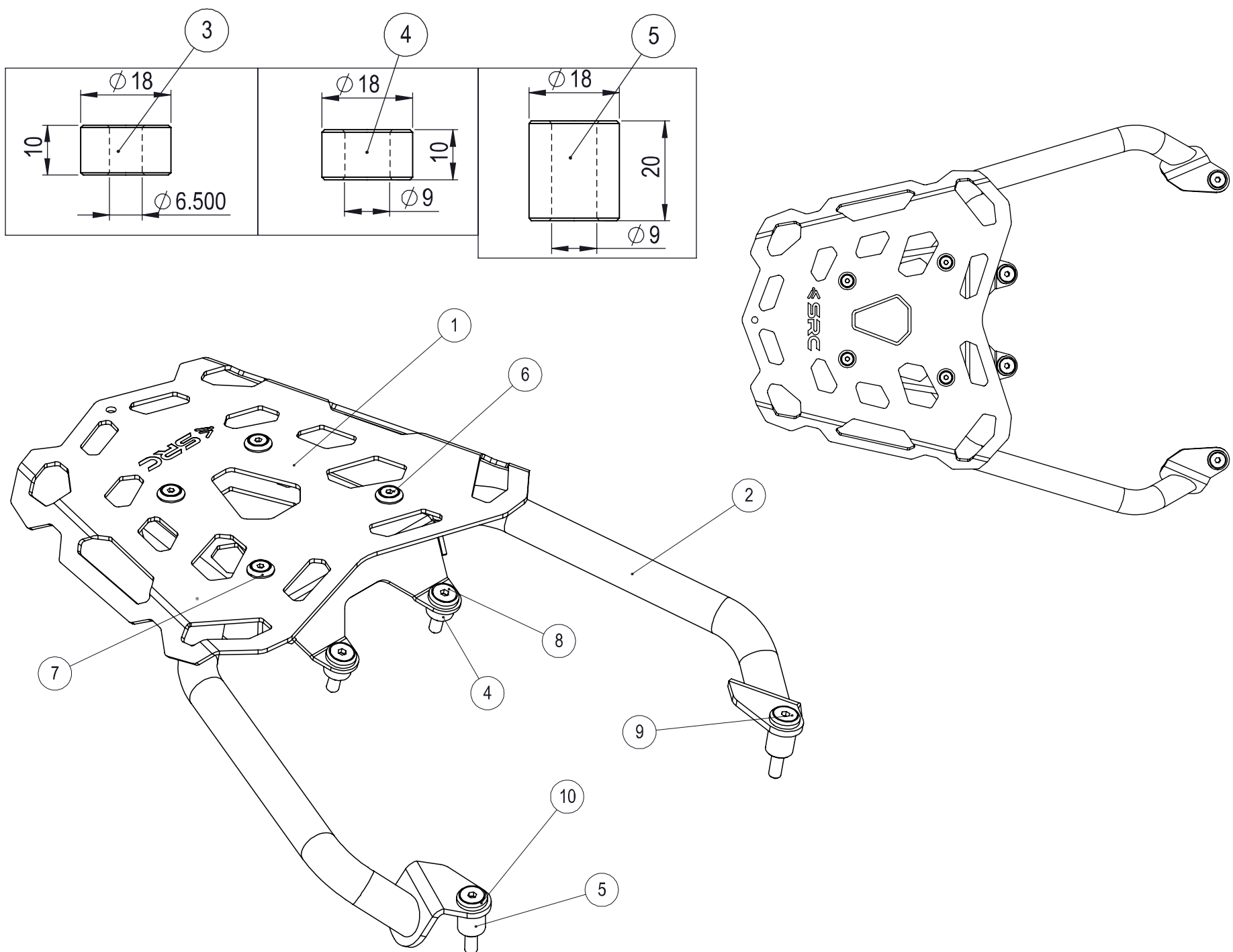
Installation / Parts List / Bill of Material for Mounting

NO.	Description	Quantity	Torque * (N-M)	Remarks **	Chack List
1	Top Rack	1			
2	Support Bar KTM	1			
3	Bush AL M6 18x10	4			
4	Bush AL M8 18x10	2			
5	Bush AL M8 18x20	2			
6	Socket countersunk head Screw M6x25	4	9 - 10	Use Liquid Thread Locker	
7	Countersunk Washer M6	4			
8	Socket countersunk head Screw M8x35	2	22 - 24	Use Liquid Thread Locker	
9	Socket countersunk head Screw M8x50	2	22 - 24	Use Liquid Thread Locker	
10	Countersunk Washer M8	4			

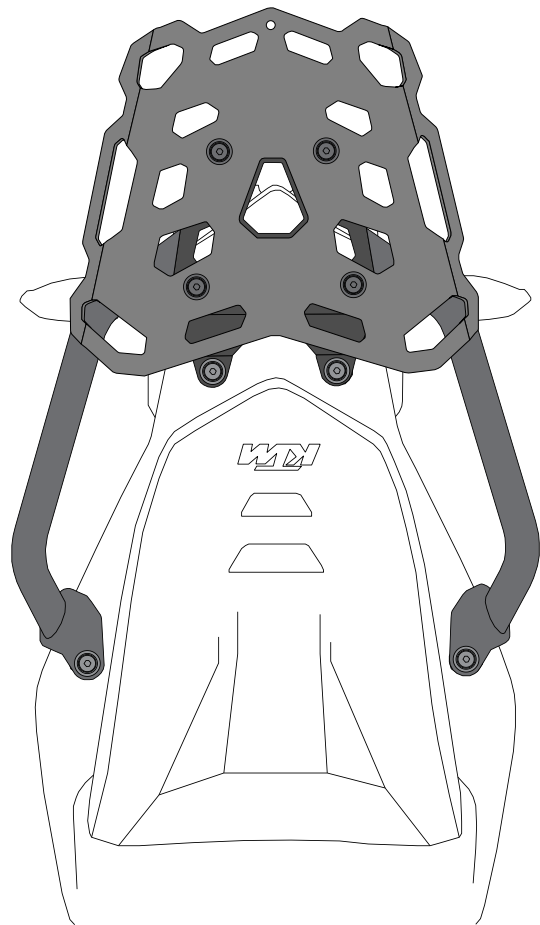
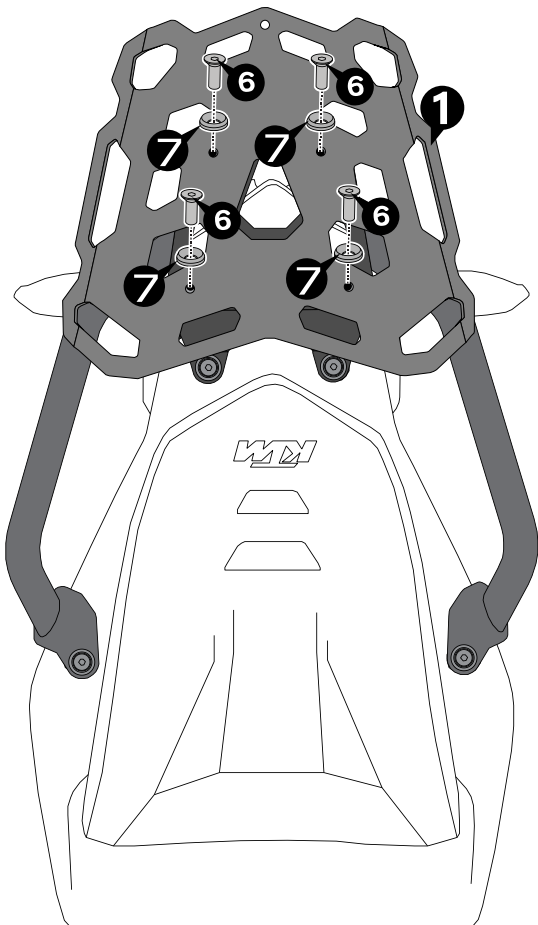
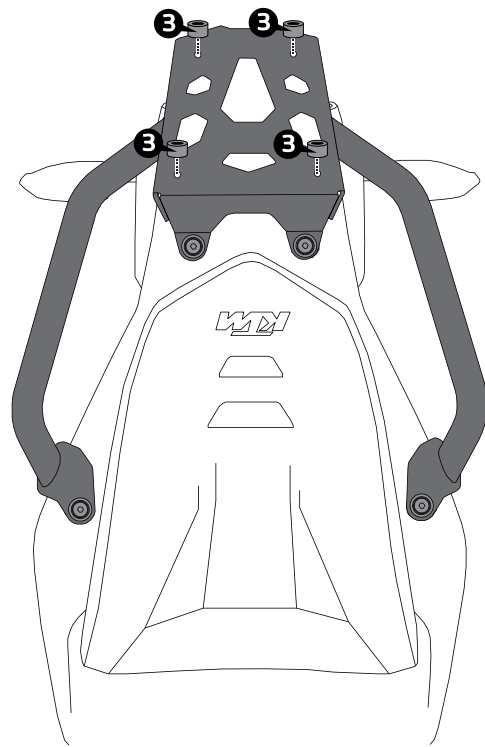
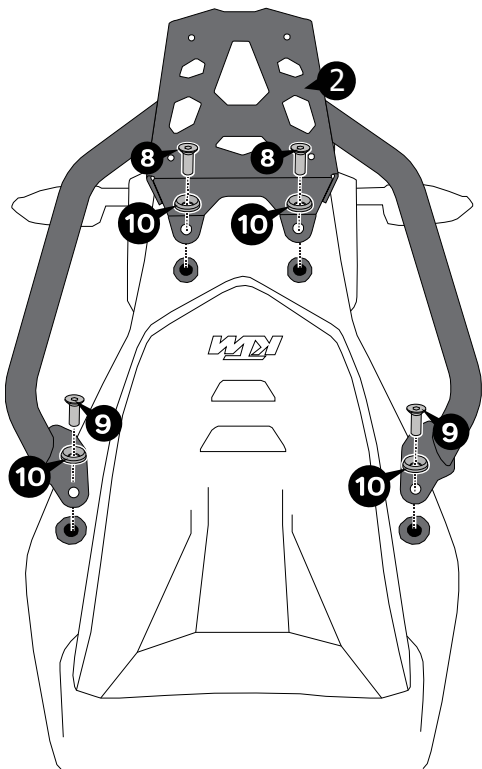
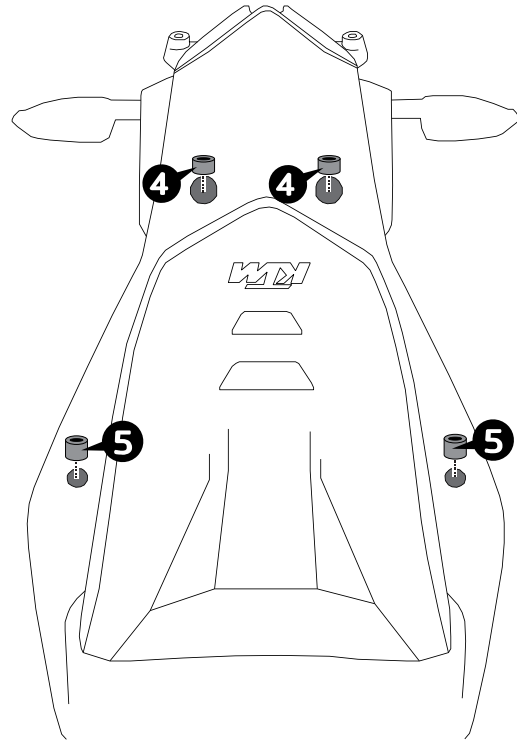
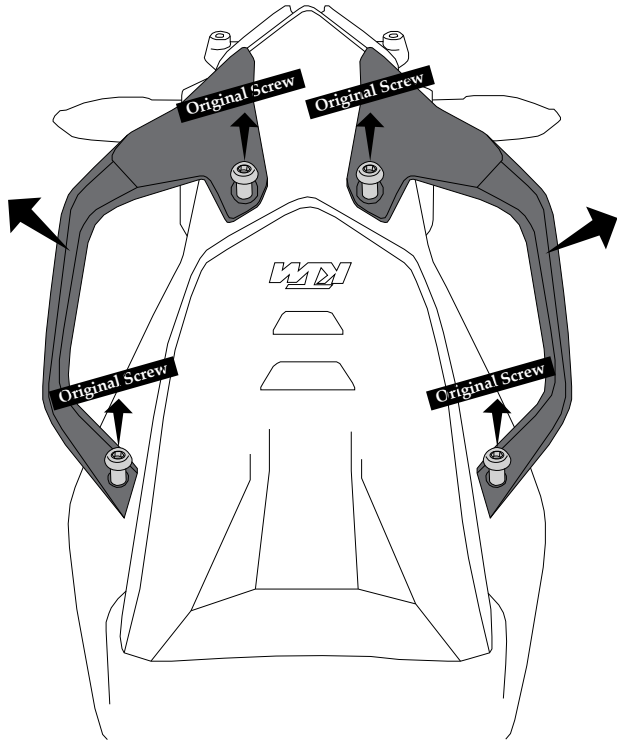
SRC Design uses Metric System of Measurement and all dimensions in Millimeters

* Recommended to use the Torque specified in the table

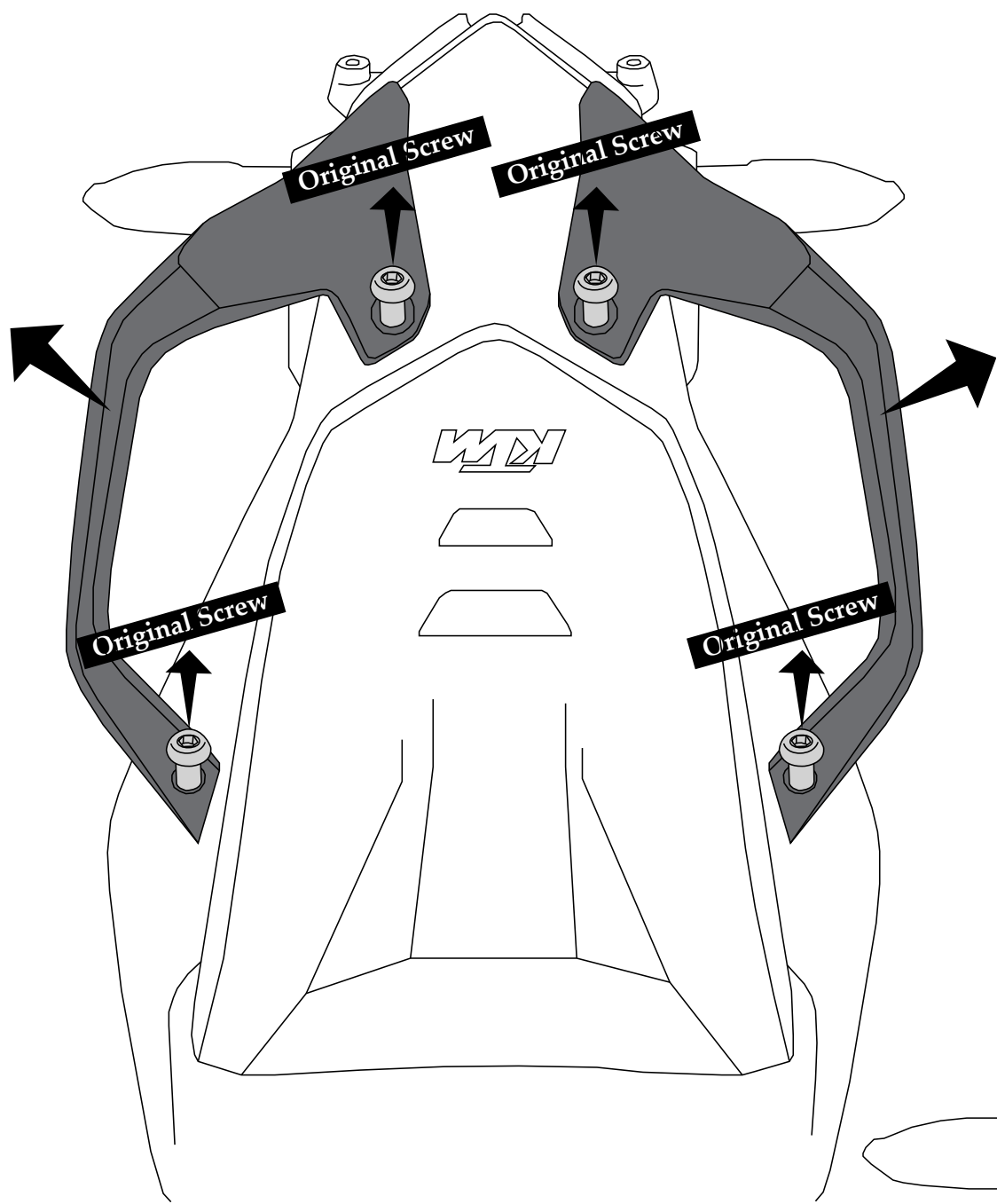
** Denotes Usage of Liquid Thread Locker in specified Locations



MOUNTING DRAWINGS

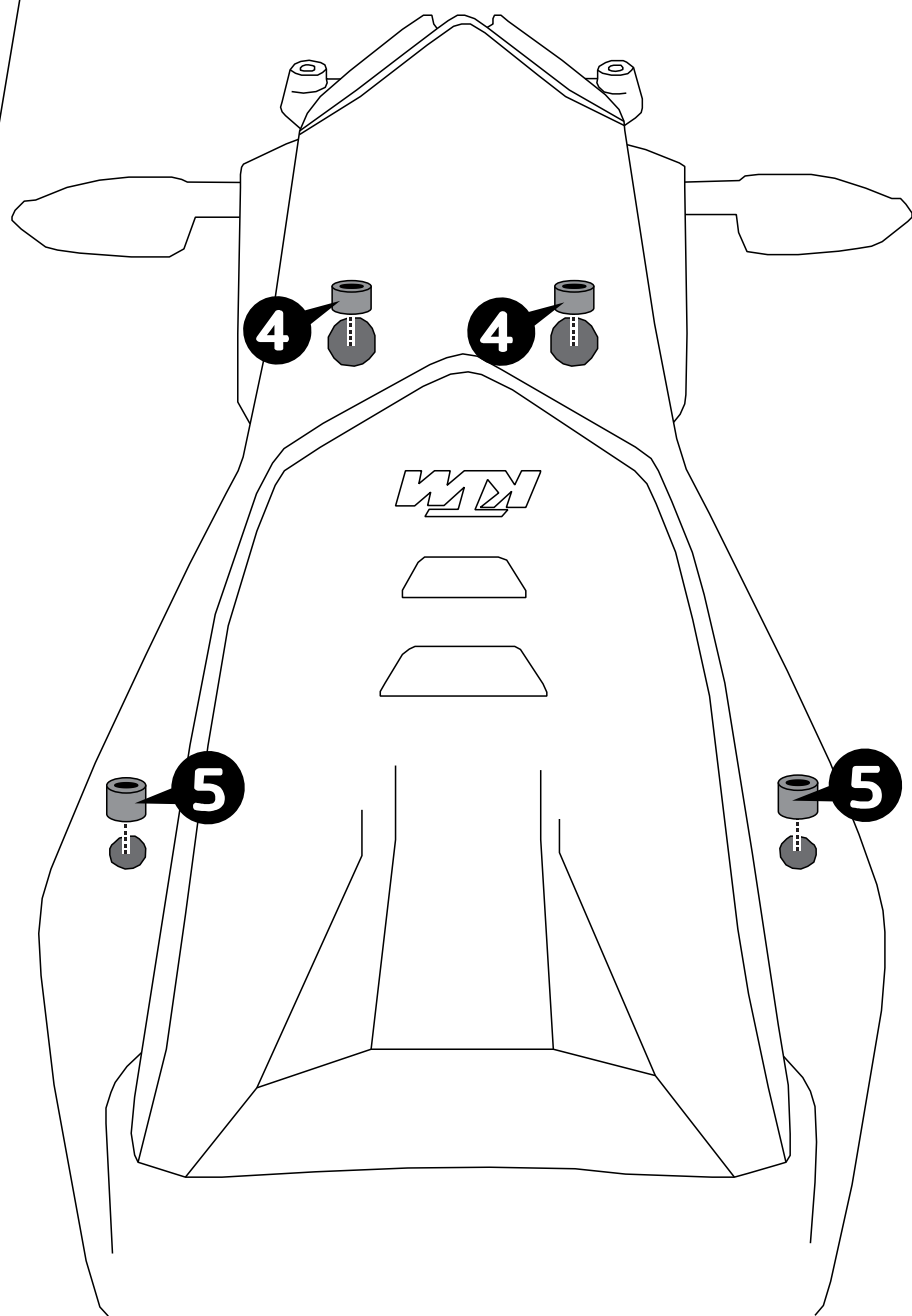


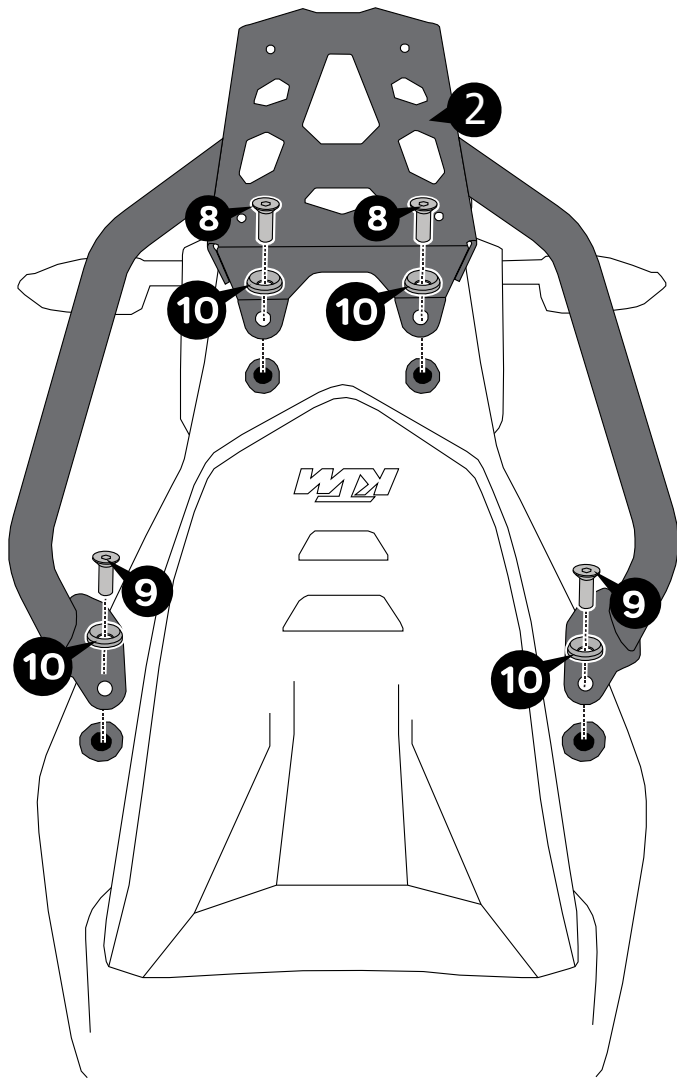
MOUNTING INSTALLATION



STEP 1:
 The Driver seat must be moved up (as shown in the drawing)
 Unscrew the Mounting screws (4 off), as shown in the drawing, and take out

STEP 2:
 Position the Mounting Bush (4) (5) – 4 off, as shown in the drawing,



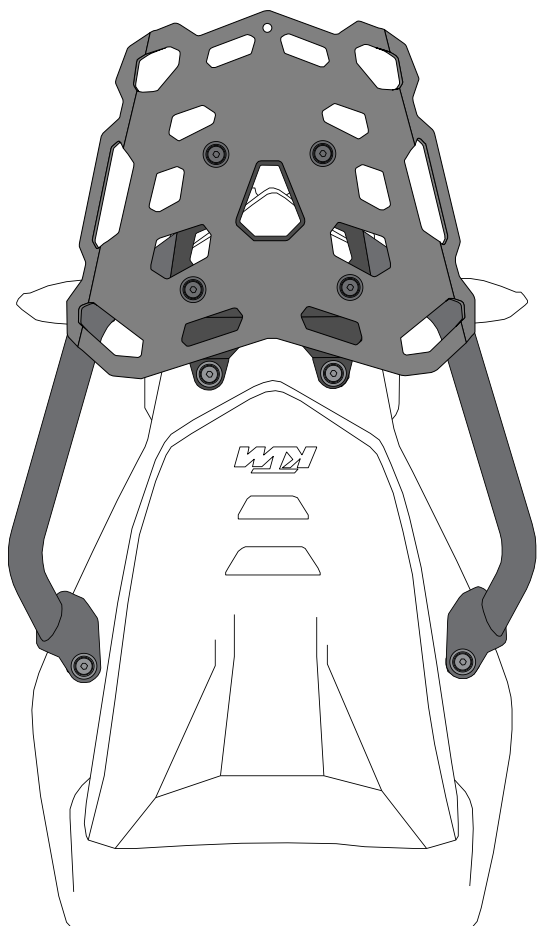
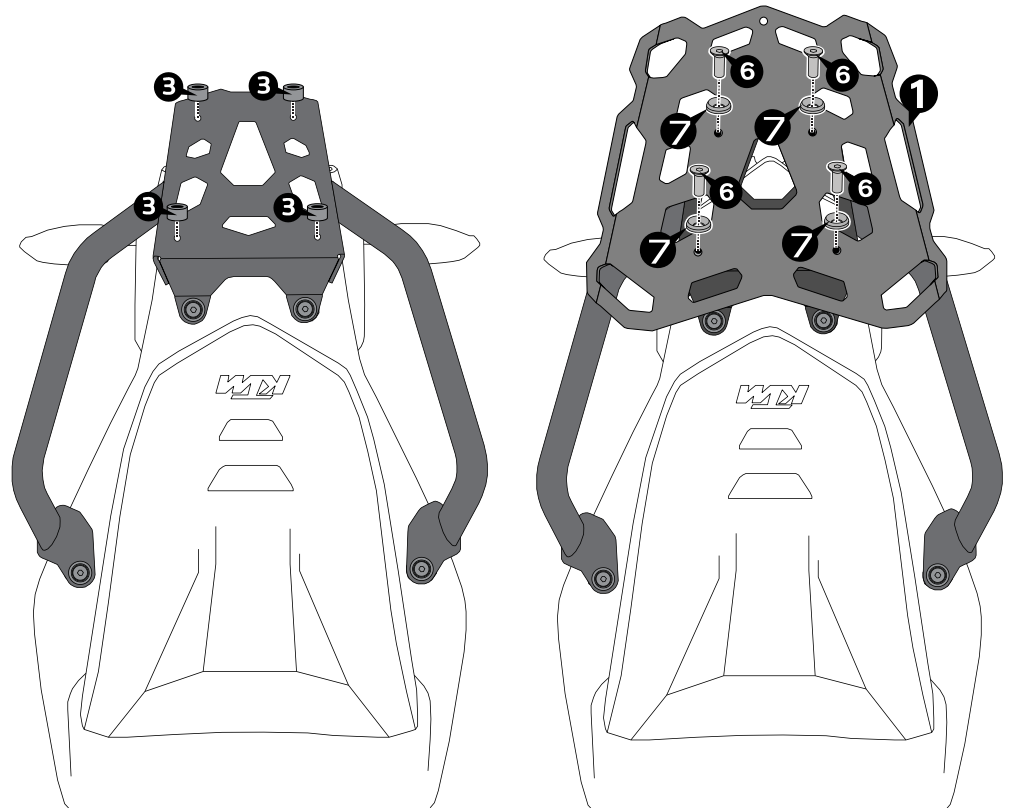


STEP 3:

Orient and align the Bottom Plat (2) in-line with the Panel mounting holes, and bring the panels exactly in-line with them, and slip-in the Mounting The Screw M8x35 (8) 2 off and The Screw M8x50 (9) 2 off and The Washer M8 (10) 4 off on each side and secure the threads.

STEP 4:

Slip in the Top Rack (1) and slip-in the Taper Ring M6 (7) 4 off , and Screw M6 x 25 (6) 4 off, and Bush M6 18x10 (3) 4 off through the Mounting holes in the Top Rack and, tighten it to the torque .



Rear Rack as shown "Final Assembled condition"

General Instructions

- 1. We request you to pay attention to the Mounting Instructions in this document and follow the step-by-step procedures.**
- 2. This Mounting Instruction manual is a “Do It Yourself” (DIY) fitment manual of the Accessory part to the Vehicle. We have prepared this based on our experience and knowledge, related to the Vehicle, Part and its functional aspects.**
- 3. SRC cannot guarantee the interchangeability of the parts to any other manufacturer’s accessory part. It is advised to the User, to inspect and ensure the original state of all other Vehicle parts.**
- 4. We request you to bear in mind, that the Installed part can change the driving behaviour and/or the stability during driving or any other dynamic conditions.**
- 5. If you have the appropriate tools and another person to assist you in the mounting, it will help.**
- 6. After Completion of the Mounting and before taking on a First ride, Ensure and Check all functions of the Vehicle. It is always advised to check loosening of the fasteners after the first 50 kilo meters of ride and at regular intervals.**
- 7. We are showing here the Scope of Supply/ Installation/Parts list & BOM from SRC**
- 8. To the maximum extent possible, our design use the current Mounting/Fitment of the Original Equipment, so that Installation of these accessories will not affect the Payload or Function of the Vehicle or the Part on which it is mounted to protect it**
- 9. If any additional modifications are to be done, prior to the fitment of the accessories, it will be explicitly specified in the instruction sheets.**