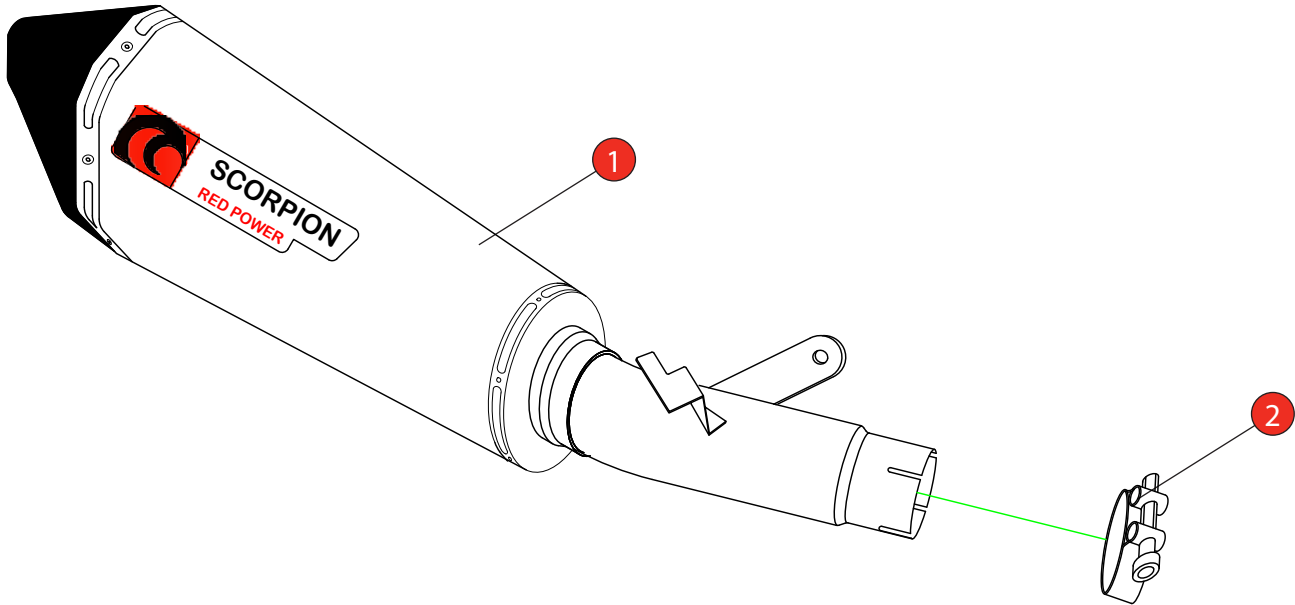


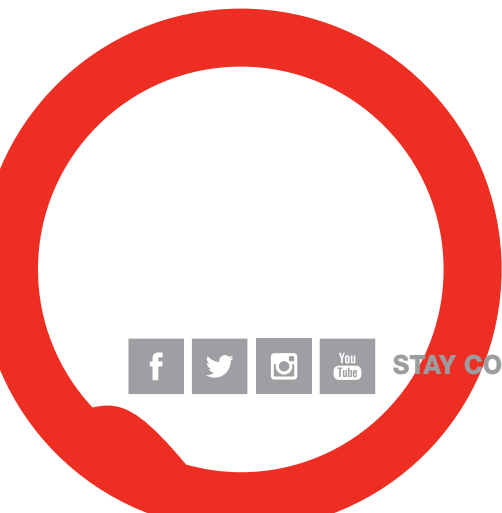
Bike	Suzuki GSX-S 1000 GT	Part No.	RSI-127
Year	2022-Current	Fit Kit	Z039.10721
Notes	Where not supplied use original fittings	dB Killer	N/A

Estimated Fitting Time: 60 Minutes



NO.	PART NO.	DESCRIPTION	QTY	CLASSIFICATION	Closed Circuit Product
1	RSC461	Serket Taper Silencer with CP1168	1	HOMOLOGATED	No
Fit Kit - Z039.10721					
2	Z016.10003	47-51mm Clamp	1	DATE	04/01/2023
	Z028.10102	A4 Self Adhesive Heat Tape	1	ISSUE	00
				AUTHORISED	S Shipley

NOTE: ENSURE SCORPION SYSTEM IS CLEAR OF MOVING PARTS AND ALL ORIGINAL FUNCTIONS WORK CORRECTLY.



STAY CONNECTED TO RED POWER.

Bike	Suzuki GSX-S 1000 GT	Part No.	RSI-127
Year	2022-Current	Fit Kits	Z039.10721
Notes	Where not supplied use original fittings	dB Killer	N/A



A) Un-bolt the OE heat shield and remove it from the bike.

B) Loosen the clamp holding the original silencer.

C) Support the weight of the silencer and remove the mounting bolt.

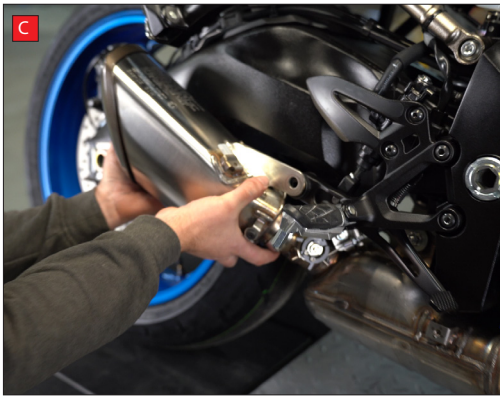
D) Remove the silencer from the bike.

E) Remove the gasket from the bike. This may have already been removed with the silencer.

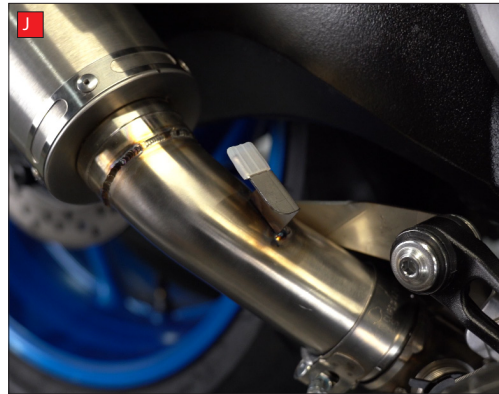
F) Fit the Scorpion exhaust to the bike ensuring the clamp is over the pipe work.

G) Secure the bracket on the Scorpion silencer behind the original mounting point using the original nut and bolt. Fully tighten.

H) Fully tighten the band clamp.



Bike	Suzuki GSX-S 1000 GT	Part No.	RSI-127
Year	2022-Current	Fit Kits	Z039.10721
Notes	Where not supplied use original fittings	dB Killer	N/A



I) Carefully remove the rubber cap from the original exhaust.

J) Fit the rubber cap on to the bracket on the Scorpion pipe work.

K) Slide the heat shield on to the pipe work and secure with the original bolt.

L) **OPTIONAL STEP:**
As a precaution we have included a sheet of heat reflective tape along with a cutting template to protect the bottom of the pannier from excess heat



When fitted take the bike for a short ride to ensure all functions are correct. When bike & exhaust are cool enough check all nuts and bolts are still secure.



STAY CONNECTED TO RED POWER.

Bike	Suzuki GSX-S 1000 GT	Part No.	RSI-127
Year	2022-Current	Fit Kit	Z039.10721
Notes	Where not supplied use original fittings	dB Killer	N/A

Estimated Fitting Time: 60 Minutes



Thank you for purchasing your Scorpion Silencer.

Care of your exhaust: Please refrain from cleaning silencer with heavy solvents or abrasives!

Vielen Dank Für den kauf eines Scorpion Schalldampfers! Pflegehinweis: Bitte verwenden Sie niemals Scheuermittel oder aggressive Reiniger zur Pflege Ihres Auspuffes!

Merci d'avoir choisi un echappement Scorpion.

Entretien de votre silencieux: Ne pas utiliser de solvants ou de produits abrasifs!

Muchas gracias por adquirir un Silencioso Scorpion. Le recomendamos no limpiar el silencioso con productos abrasivos o aquellos que contengan disolventes.



STAY CONNECTED TO RED POWER.

PANNIER HEAT SHIELD CUTTING TEMPLATE

