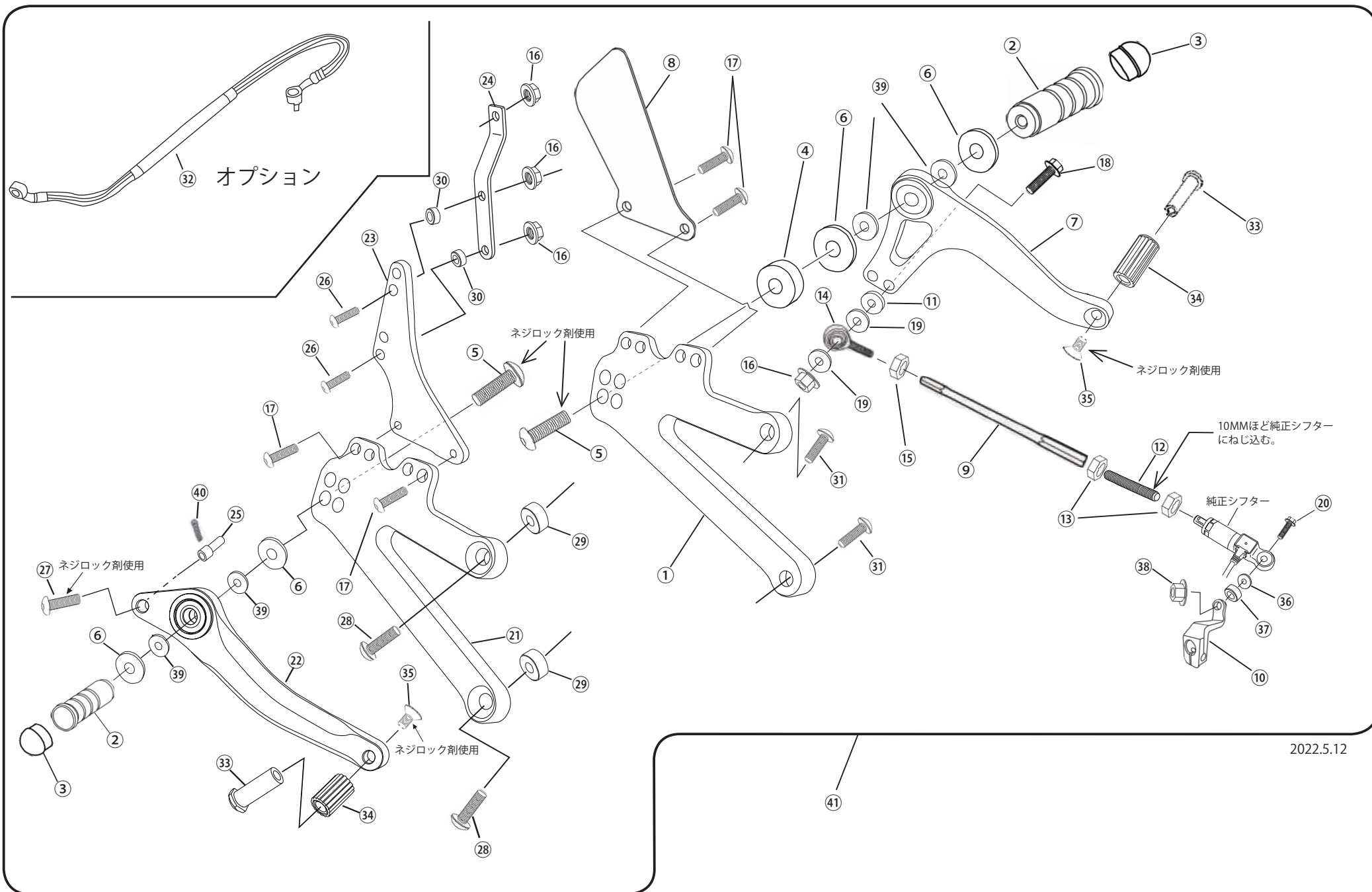


CBR250RR RACING 4POSITION BACK STEP KIT

EL645-64L-R1

MODEL CBR250RR HRC レースベース車('20.10~)[JH2MC51S]



※価格、品番等々は予告なく変更する場合がありますのでご了承下さい。

No	PARTS NUMBER	PARTS NAME	QTY	MEMO	No	PARTS NUMBER	PARTS NAME	QTY	MEMO
①	54601-KYJR-T01	STEP PLATE LH	1		②③	E50644-K64-T1	HEEL STOPPER PLATE RH	1	
②	50610-KYJ-T01	STEP BAR	2		②④	E43518-K64-T1	STAY OIL CUP	1	
③	53105-MGC-E01	STEP BAR END CAP	2		②⑤	25910-KYJR-T12	RR BRAKE M/C PIN	1	
④	E24756-64L-R1	COLLAR,STEP BAR	1	L=13mm	②⑥	25705-KYJR-A21	BUTTON BOLT M6×35	2	
⑤	BBOLT-08060FB-E	BUTTON BOLT M8×60	2		②⑦	BBOLT-06020SS-T	BUTTON BOLT M6×20	1	
⑥	WASHER-08022FS-E	WASHER Φ8×Φ22 t1.6	4		②⑧	BBOLT-08030FS-E	BUTTON BOLT M8×30	2	
⑦	E24705-64L-R1	SHIFT PEDAL COMP.	1		②⑨	E24756-K64-T1	COLLAR	2	L=10mm
⑧	50641-KYJR-T01	HEEL STOPPER PLATE LH	1		③⑩	E25910-K64-T1	COLLAR STAY OIL CUP	2	L=6mm
⑨	E90065-64L-R1	ROD CHANGE 155MM	1		③⑪	BBOLT-08020FS-E	BUTTON BOLT M8×20	2	
⑩	24711-KGH-900	CHANGE ARM	1		③⑫	43310-KYJ-D21	HOSE COMP REAR BRAKE	(1)	オプション
⑪	E24755-64L-R1	COLLAR CHANGE ROD	1	L=7mm	③⑬	E24950-K56-T1	PEDAL PIN	2	
⑫	E24758-64L-R1	SCREW SHAFT M6×P1 LH	1		③⑭	24705-MR7-000	PEDAL PIN RUBBER	2	HMJ
⑬	NUT-06001FS-E	M6" LH" NUT	2		③⑮	SBOLT-06025SS-E	PLATE SCREW M6×25	2	
⑭	24750-KPP-T01	M6 ROD END	1		③⑯	90501-KV6-670	WASHER PLAIN 7MM	1	HMJ
⑮	NUT-06000FS-E	M6 NUT	1		③⑰	E24757-64L-R1	COLLAR CHANGE ARM	1	逆チェンジ時のみ使用
⑯	FNUT-06000FS-E	M6 FLANGE NUT	4		③⑱	90202-KV3-000	M7 FLANGE NUT	1	HMJ
⑰	BBOLT-06015SS-E	BUTTON BOLT M6×15	4		③⑲	WASH-081612SS-E	WASHER Φ8×Φ16 t1.2	4	
⑱	96001-0603500	BOLT FLANGE M6×35	1		④⑰	90201-20150	PIN SPLIT 2.0×15	1	
⑲	WASHER-06013FS-E	WASHER Φ6×Φ13	2		④⑱	EL645-64L-R1	RACING 4POSITION BACK STEP		
⑳	90115-MKF-D60	BOLT FLANGE M7×30	1	HMJ					
㉑	55601-KYJR-T01	STEP PLATE RH	1						
㉒	E25705-26P-A1	BRAKE PEDAL COMP	1						