
4SMS Engine Complete

(Secondary Starter) PARTS LIST

spec. 123/138/148cc 4Valve+R HEAD

About parts list:

Please make use of these parts lists for placing an order for repair parts.

Please quote parts Item Nos in ordering the parts. (Please note that we are not in a position to accept your orders in other ways than this.)

In these parts lists are included those parts which you can choose and use as optional parts. To avoid ordering wrong parts, before placing an order, please check a type or kind of your part or product for which you are ordering parts.

It is highly likely that the parts are subject to change. We manage these parts by the applicable serial Nos. In case there are a plural number of Part Nos for a part, choose and order the part quoting the Part No. , after checking the “Initial applicable serial No” and “Final applicable serial No”.

As you see from the lists, there are some parts for which we are not in a position to accept your order as a single unit. Please note that In this case, please order a set of parts which includes your required parts.

CONTENTS

Cylinder Head / Camshaft	P 6-P 8	
Cylinder	P 9-P10	
Tensioner / Cam chain	P11	
Piston / Crankshaft	P12-P13	
Right-side crankcase cover	P14-P19	
Clutch	P20-P23	
Oil pump / Crankcase	P24-P26	
Transmission	P27-P36	
Shift drum / Shift fork	P37-P40	
Kick starter spindle	P41	
Generator	P42	
Left-side crankcase cover	P43	
Inlet pipe	P44	

- marks show that the parts are optional ones.
- The “Qty” in the parts list shows the quantity of parts used.
- The quantity in “In packs of” shows the quantity of the part supplied in the relative Part No.
For example, the quantity of 2 in “In packs of” shows that the parts of the corresponding Part No. come in 2. pieces And in case the quantity is 2SETS, the set parts come in 2 sets.
- And those parts without Part No. show that they are not available.

How to use this catalog.

Reference number

Reference number corresponds to the reference number on the illustrations.
Reference numbers may be skipped when they apply to other models. Several numbers may be listed under one reference number.

For available optional parts.

Parts number

Not available if the parts number does not exist.

Parts Name

Quantity.

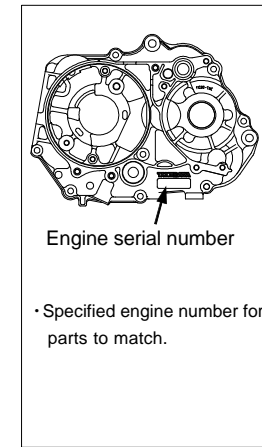
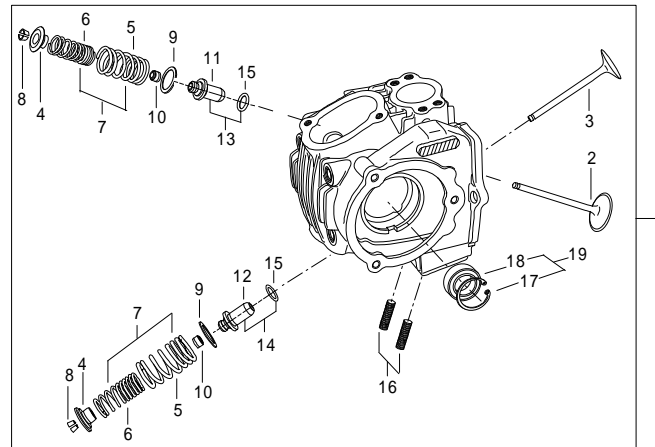
Required quantity.

Engine type

Engine model number and displacement. Several numbers may be listed as universal parts.

Applicable engine serial number for beginning

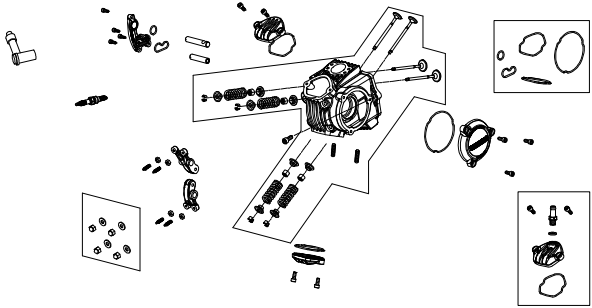
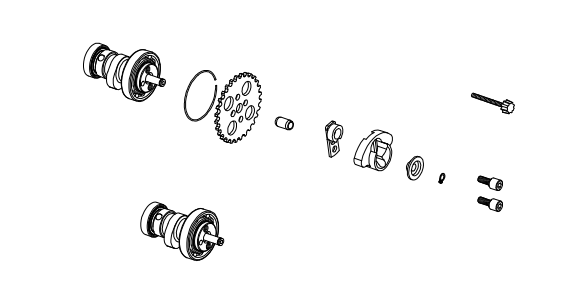
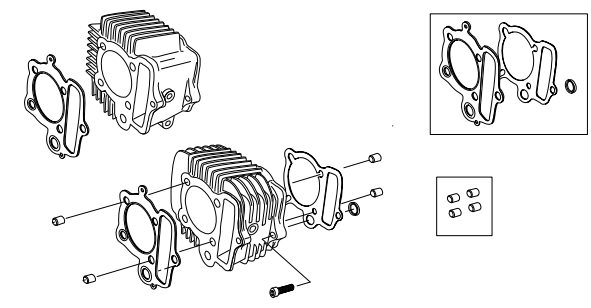
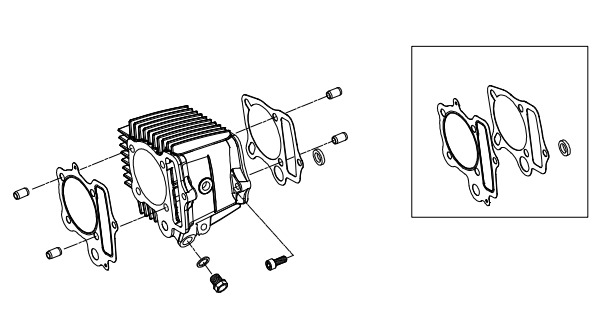
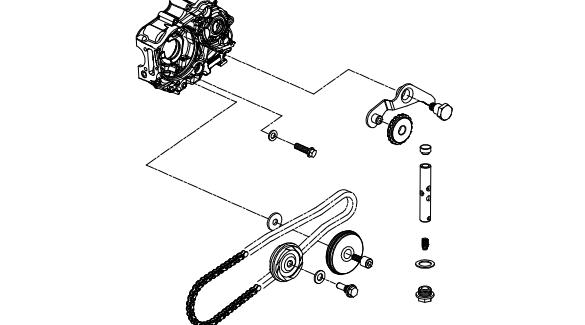
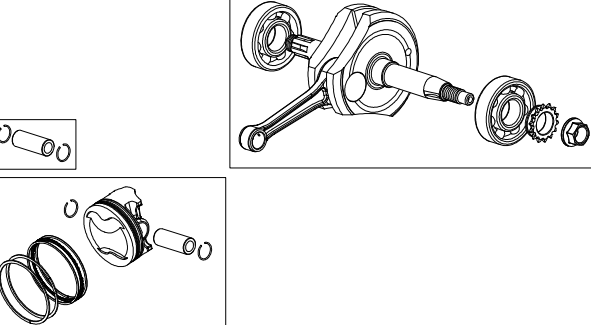
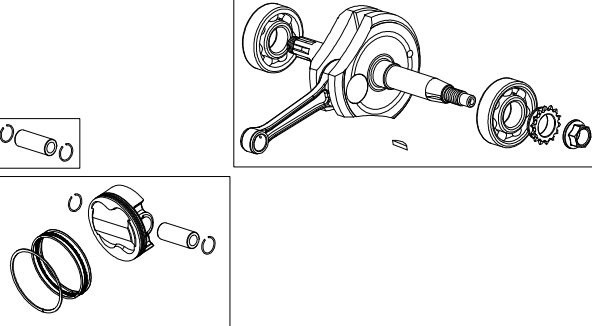
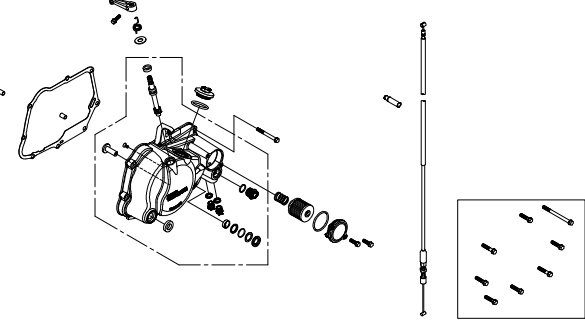
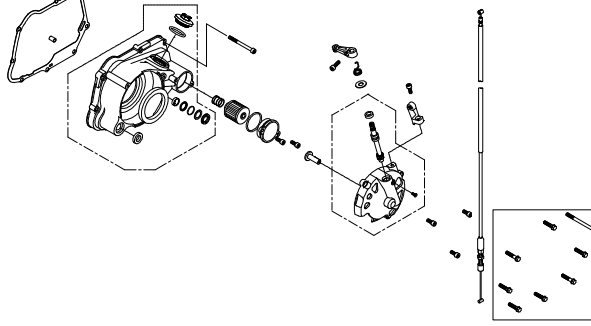
Applicable engine serial number for ending.



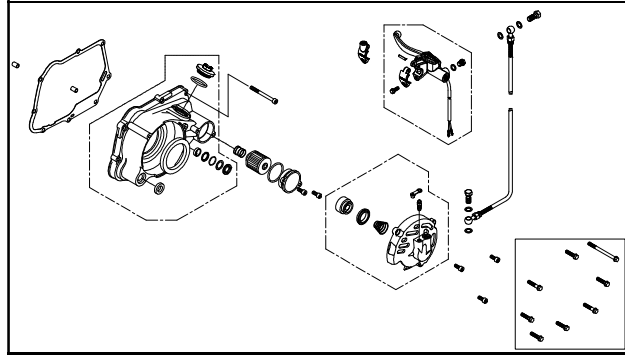
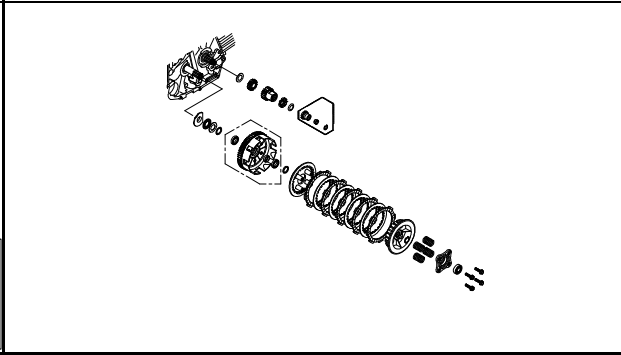
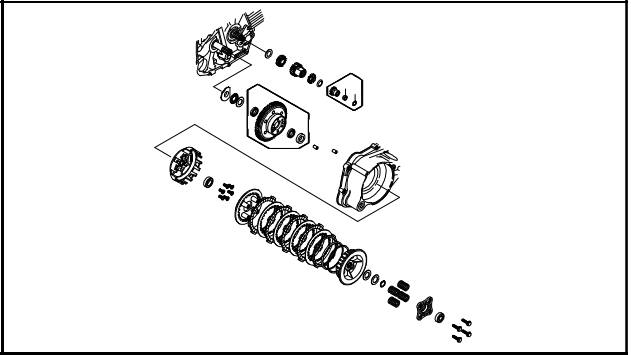
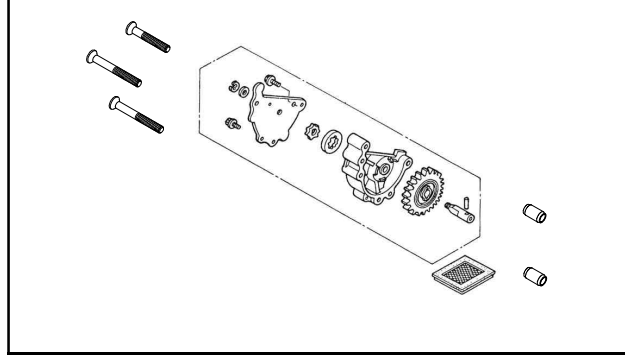
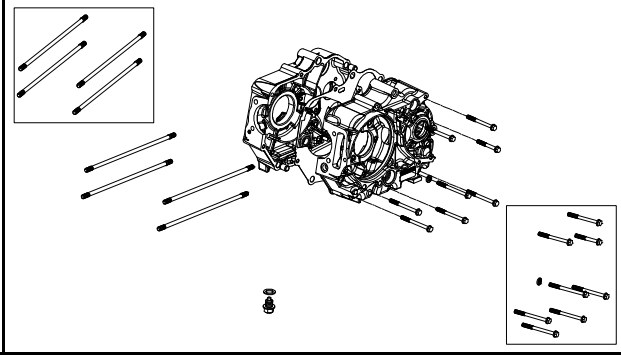
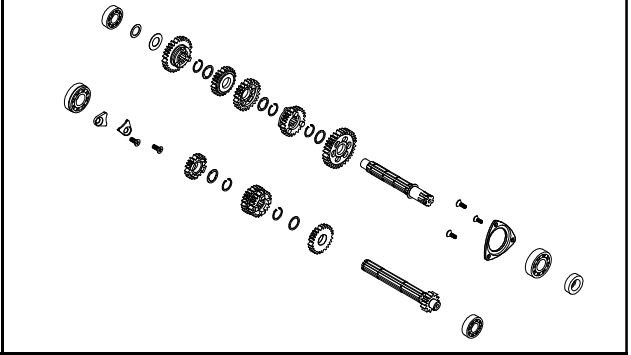
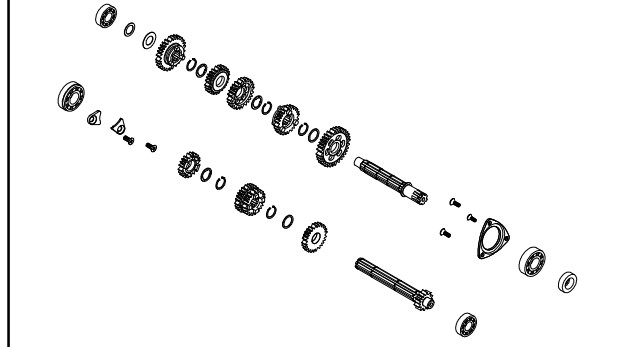
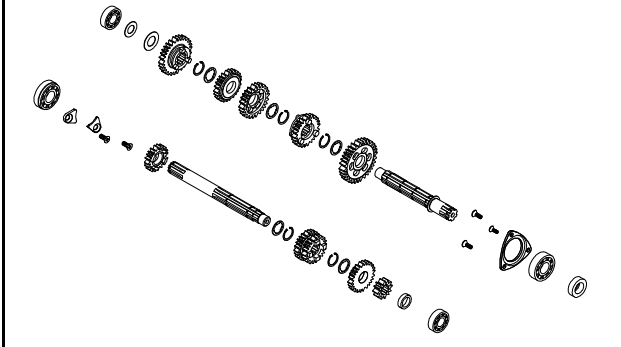
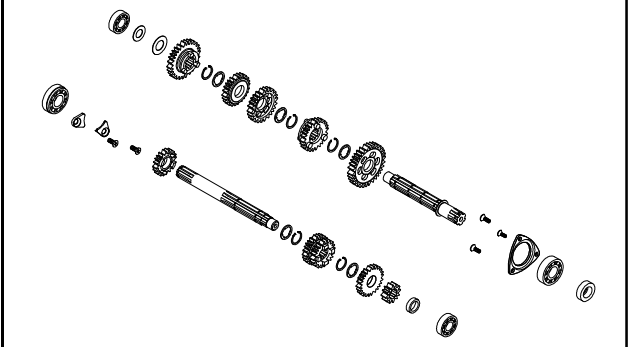
Generic layout-sample data only.

No.	Part No.	Part Name	Qty	In packs of	Type	Initial applicable serial No.	Final applicable serial No.
1	06120-CSM-T00	Cylinder head sub ASSY.	1	1	CSMP-148cc		
	06120-4SM-T00	Cylinder head sub ASSY.	1	1	4SMP-123cc/138cc		
2	14711-SSM-T00	Intake valve	1	1	CSMP-148cc		
	14711-4SM-T01	Intake valve	1	1	4SMP-123cc/138cc		
3	14721-4SM-T01	Exhaust valve	1	1			
4	00-01-0078	Valve spring retainer	2	2			
	01-12-084	Ti-Valve spring retainer (O/P)	2	2	Optional parts		
5		Outer valve spring	2				
6		Inner valve spring	2				
7	01-12-0101	Valve spring set		@1			
8	00-01-0018	Valve cotter	4	4			
9	00-01-0002	Valve spring outer seat	2	2			
10	00-01-0015	Valve stem seal	2	2			
11	000-03-137	Valve guide, IN O/S	1	1	CSMP-148cc	CSMP-000001 ~	CSMP-000099
12	000-03-138	Valve guide, EX O/S	1	1	CSMP-148cc	CSMP-000001 ~	CSMP-000099
13	00-01-0083	Valve guide, IN O/S	1	@1		CSMP-000100 ~	
14	00-01-0086	Valve guide, EX O/S	1	@1		CSMP-000100 ~	
15		O-ring	2	2	4SMP-123cc/138cc		
16	00-01-0073	Stud bolt, 6X32	2	2		4SMP-000107 ~	

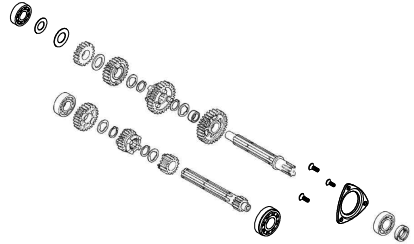
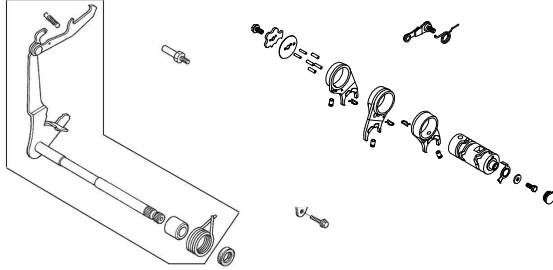
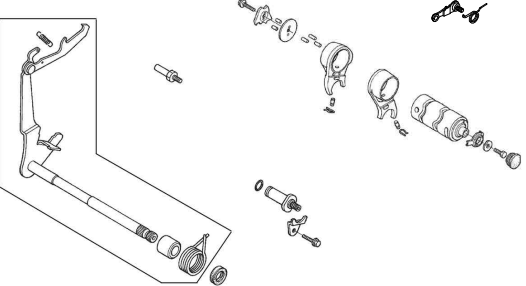
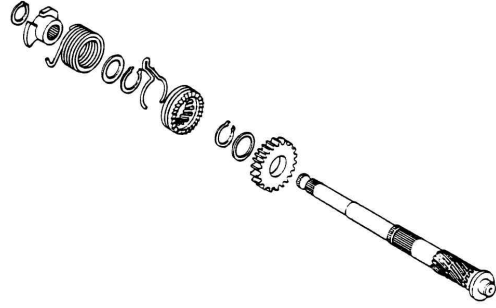
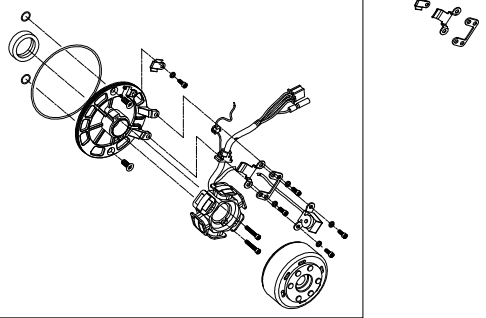
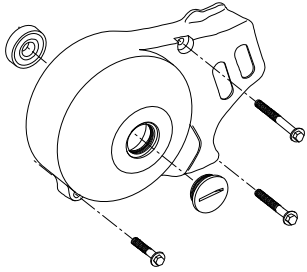
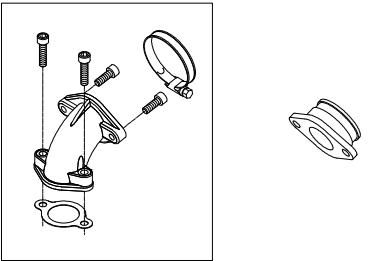
Index

<p style="text-align: center;">Cylinder Head</p> <p style="text-align: right;">P6-P7</p>	<p style="text-align: center;">Camshaft</p> <p style="text-align: right;">P8</p>	<p style="text-align: center;">Cylinder (123/138cc)</p> <p style="text-align: right;">P9</p>
		
<p style="text-align: center;">Cylinder (148cc)</p> <p style="text-align: right;">P10</p>	<p style="text-align: center;">Cam chain/Tensioner</p> <p style="text-align: right;">P11</p>	<p style="text-align: center;">Piston/Crankshaft (123/138cc)</p> <p style="text-align: right;">P12</p>
		
<p style="text-align: center;">Piston/Crankshaft (148cc)</p> <p style="text-align: right;">P13</p>	<p style="text-align: center;">Right-side crankcase cover (Wet-Type)</p> <p style="text-align: right;">P14-P15</p>	<p style="text-align: center;">Right-side crankcase cover (Dry-Type)</p> <p style="text-align: right;">P16-P17</p>
		

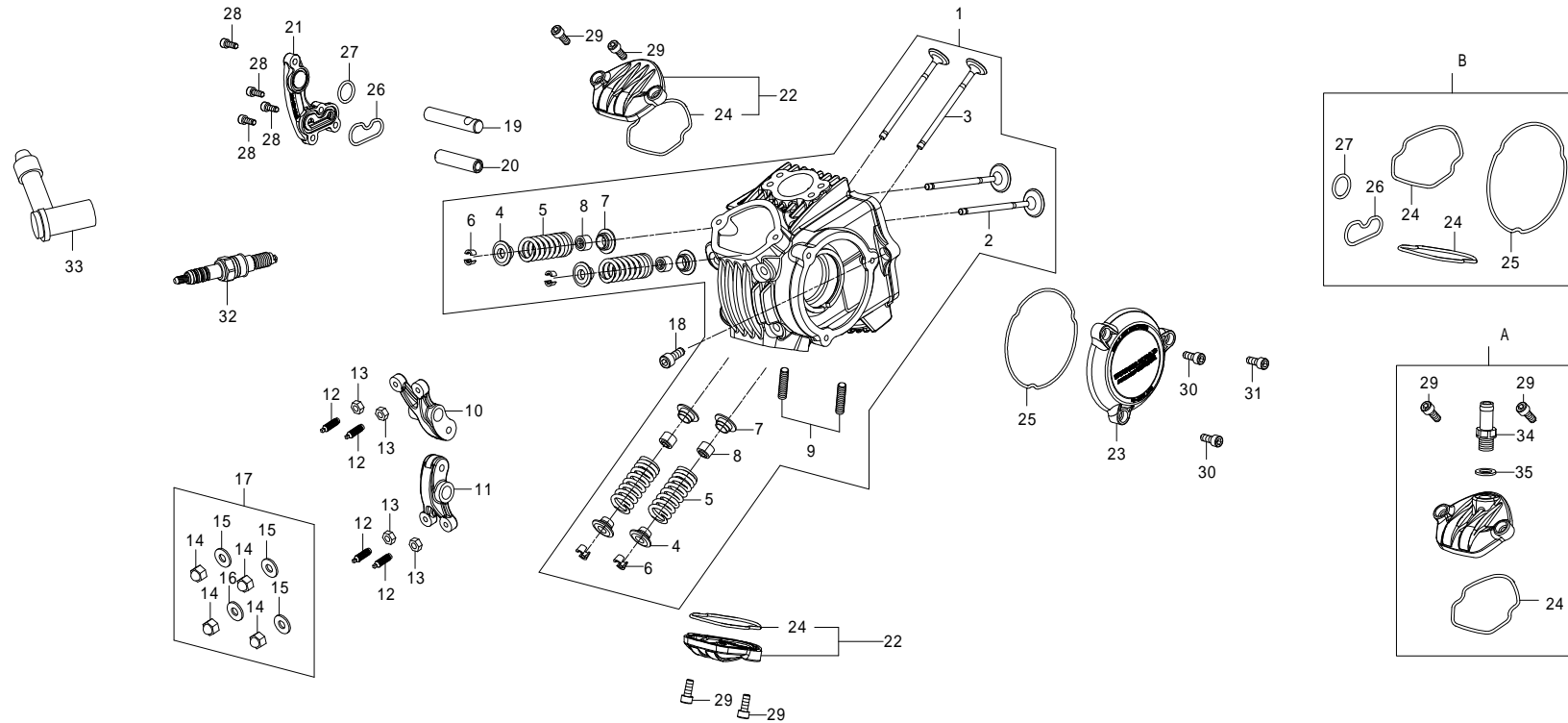
Index

<p>Right-side crankcase cover (Dry-Hydraulic-Type) P18-P19</p>	<p>Clutch (Wet-Type) P20-P21</p>	<p>Clutch (Dry-Type) P22-P23</p>
		
<p>Oil pump P24</p>	<p>Crankcase P25-P26</p>	<p>Transmission (Super touring 5-Speed Wet-Type) P27-P28</p>
		
<p>Transmission (Super street 5-Speed Wet-Type) P29-P30</p>	<p>Transmission (Super touring 5-Speed Dry-Type) P31-P32</p>	<p>Transmission (Super street 5-Speed Dry-Type) P33-P34</p>
		

Index

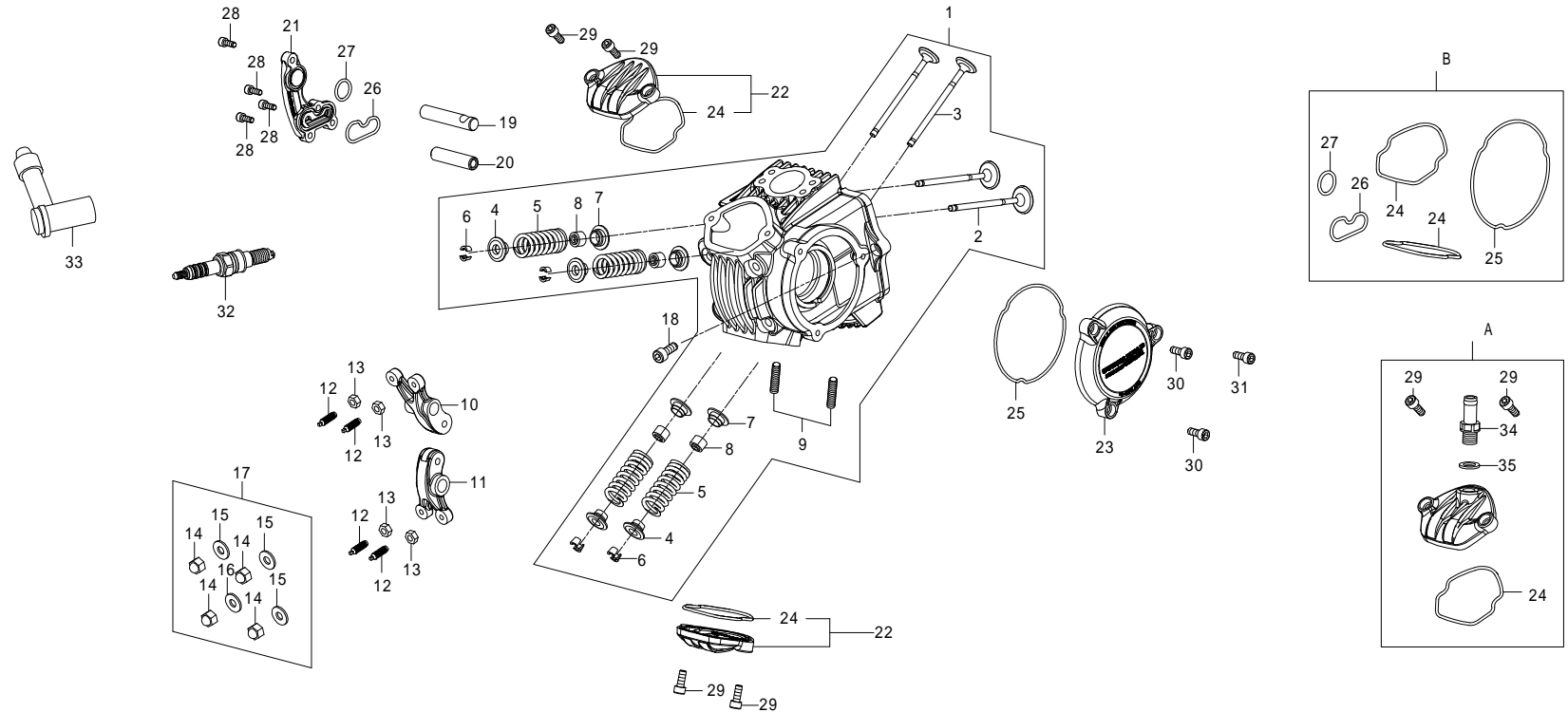
Transmission (4-Speed Wet-Type) P35-P36	Shift drum/Shift fork (5-Speed) P37-P38	Shift drum/Shift fork (4-Speed) P39-P40
		
Kick starter spindle P41	Generator P42	Left-side crankcase cover P43
		
Inlet pipe P44		
		

Cylinder Head 4SMS (123/138/148cc)



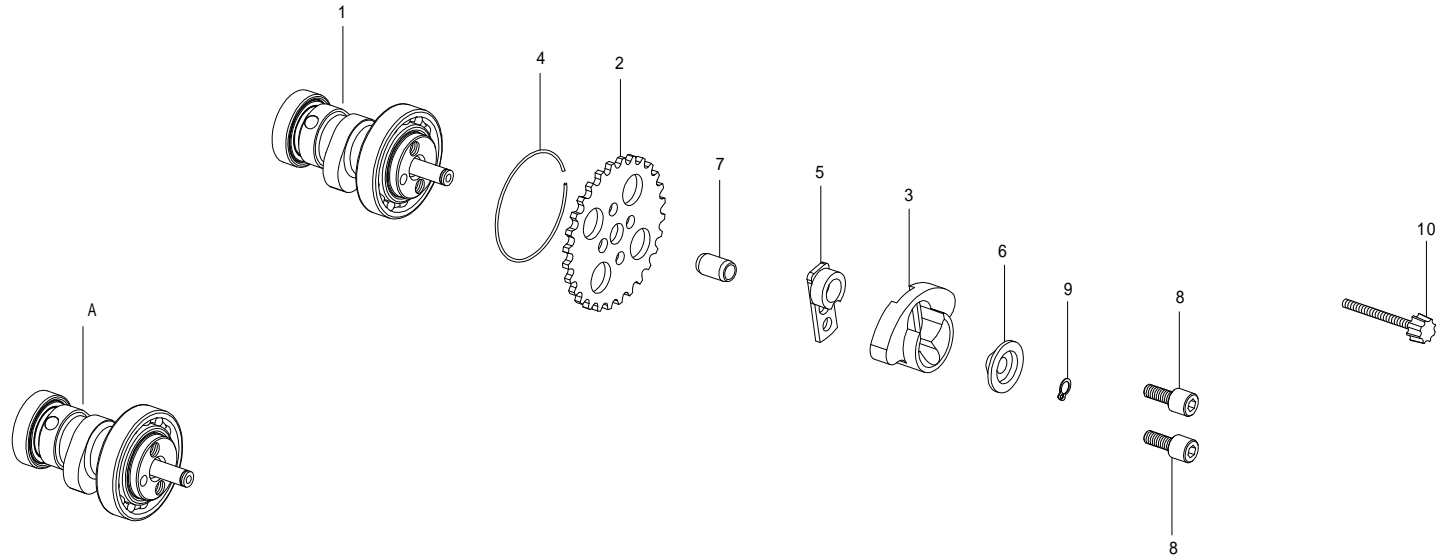
No.	Part No.	Part Name	Qty	In packs of	Type	Initial applicable serial No.	Final applicable serial No.
1	06120-4SS-T00	Cylinder head sub ASSY.	1	1			
2	14711-4SS-T00	Intake valve	2	1			
3	14721-4SS-T00	Exhaust valve	2	1			
4	14770-SH4-T00	Valve spring retainer	4	1			
5	14751-SH4-T00	Valve spring	4	1			
6	00-01-1039	Valve cotter	8	4			
7	14775-SH4-T00	Valve spring seat	4	1			
8	00-01-1038	Valve stem seal	4	4			
9	00-01-0073	Stud bolt, 6x32	2	2			
10	14430-4SS-T00	Intake valve rocker arm COMP.	1	1			
11	14420-4SS-T00	Exhaust valve rocker arm COMP.	1	1			
12	00-01-0284	Adjusting screw	4	2			
13	00-01-0285	Adjusting nut	4	2			
14		Cap top nut, 7mm	4				
15		Sealing washer	3				
16		Sealing washer, copper	1				
17	00-00-0161	Top nut set		1SET			
18	00-00-0156	Socket cap screw, 6X18	1	4			
19	14452-4SS-T10	Rocker arm shaft	1	1			

Cylinder Head 4SMS (123/138/148cc)



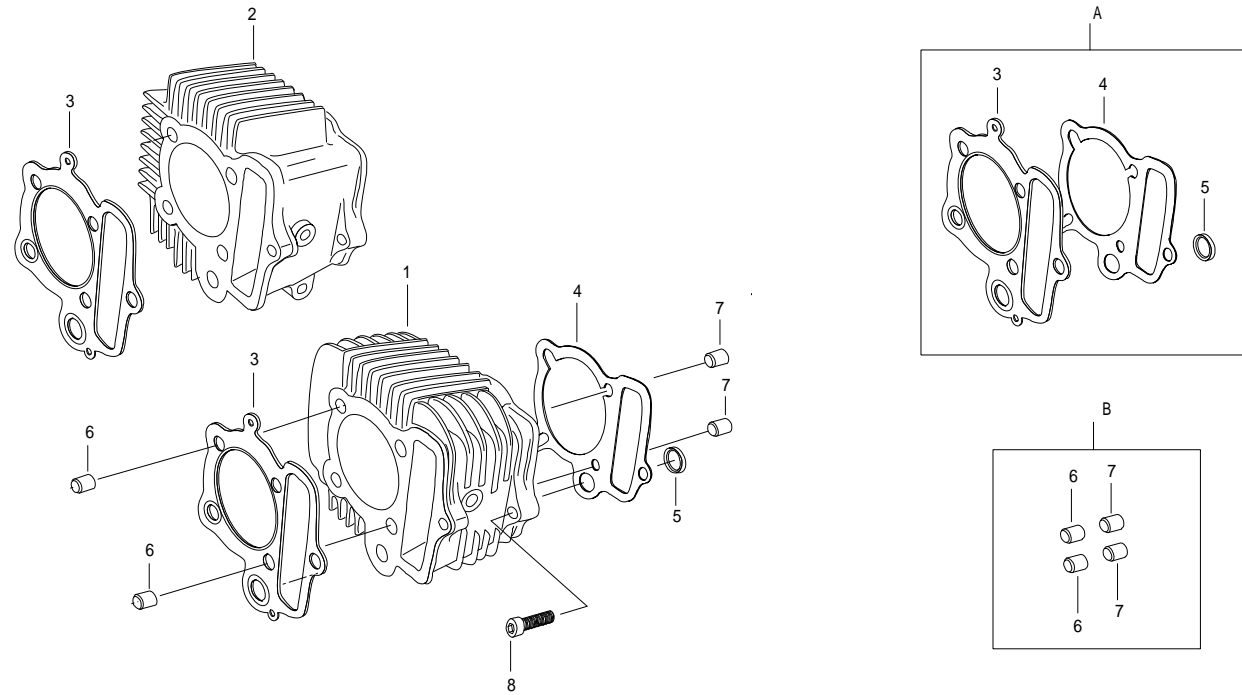
No.	Part No.	Part Name	Qty	In packs of	Type	Initial applicable serial No.	Final applicable serial No.
20	14451-SH4-T00	Rocker arm shaft	1	1			
21	11121-SH4-T00	Right-side cylinder head side cover	1	1			
22	00-01-0141	Inspection cap	1	@1			
23	11134-SH4-T00	Left-side cylinder head side cover	1	1			
24		Inspection cap O-ring	2				
25		Left-side cylinder head side cover O-ring	1				
26		Right-side cylinder head side cover O-ring	1				
27	00-00-0186	O-ring, 15mm	1	4			
28	00-00-0243	Socket cap screw, 4X12	4	6			
29	00-00-0160	Socket cap screw, 5X12	4	4			
30	00-00-0041	Socket cap screw, 5X15	2	4			
31	00-00-0233	Socket cap screw, 5X10	1	3			
32	NGK-ER8EH	Spark plug, ER8EH	1	1			
33	30700-4SS-T00	Spark plug cap	1	1			
34	13435-000-T00	Breather adaptor	1	1			
35	00-07-0010	Sealing washer, 10mm	1	10			
A	00-01-1037	Inspection cap breather set		1SET	Optional parts		
B	01-13-8011	O-ring set		1SET	Optional parts		

Camshaft 4SMS (123/138/148cc)



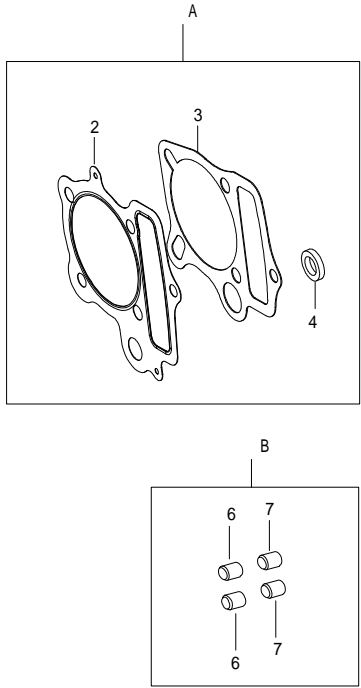
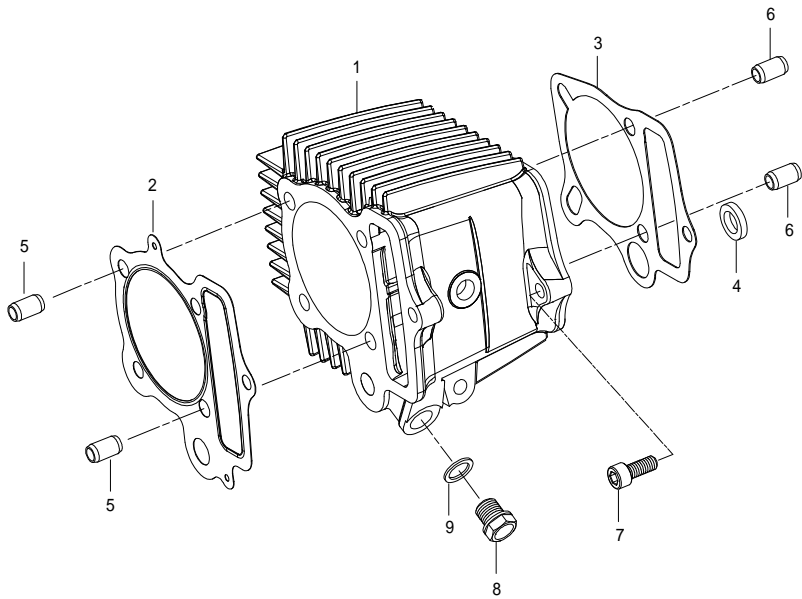
No.	Part No.	Part Name	Qty	In packs of	Type	Initial applicable serial No.	Final applicable serial No.
1	01-08-0143	Camshaft, 20/25	1	1			
2	00-01-0099	Cam sprocket, 28T	1	1			
3	14103-SPH-T10	Weight	1	1			
4	00-01-0081	Camshaft circlip	1	3			
5	14106-SPH-T00	Cam sprocket washer	1	1			
6	14104-KL3-T00	Plate	1	1			
7	00-00-0153	Dowel pin, 8X12	1	3			
8	00-00-0066	Socket cap screw, 5X12	2	4			
9	00-01-0255	Snap ring, 6mm	1	5			
10	00-01-0254	Thumb screw, 3X28	1	1	Tool		
A	01-08-0141	Camshaft, 10/15		1	Optional parts		
	01-08-0142	Camshaft, 15/20		1	Optional parts		
	01-08-0144	Camshaft, 25/30		1	Optional parts		

Cylinder 4SMS (123/138cc)



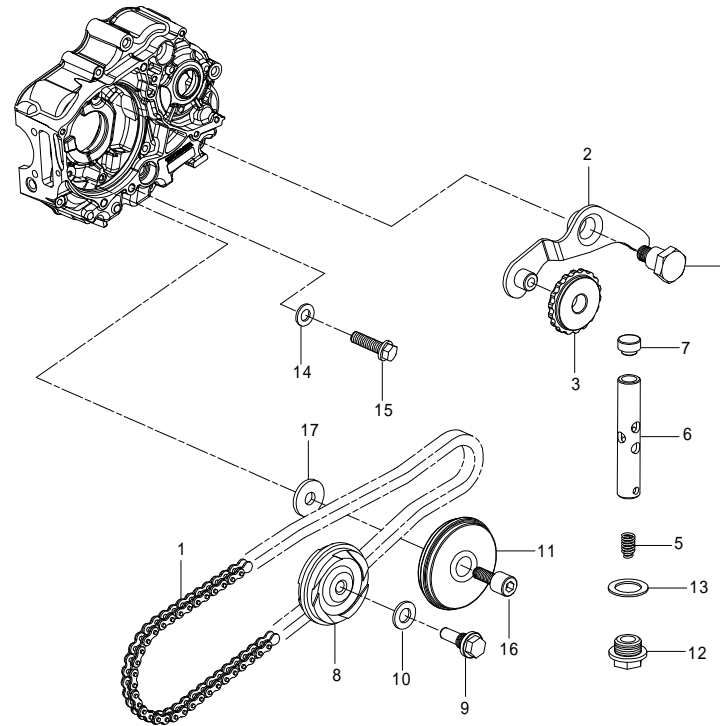
No.	Part No.	Part Name	Qty	In packs of	Type	Initial applicable serial No.	Final applicable serial No.
1	12108-4VS-T00C	Aluminum cylinder, 56mm	1	1	4SMS-123cc		
2	12109-4HL-T00C	Aluminum cylinder, 57mm	1	1	4SMS-138cc		
3	12251-P3V-T20	Cylinder head gasket, 56	1	1	4SMS-123cc		
	12251-P3V-T20-T0	Cylinder head gasket, 57	1	1	4SMS-138cc		
4	12191-4VP-T00	Cylinder gasket	1	1			
5	00-01-0066	Rubber packing, Black	1	2			
6	00-00-0194	Dowel pin, 8X14	2	2			
7	00-00-0193	Dowel pin, 8X12	2	2			
8	00-00-0043	Socket cap screw, 6X20	1	10			
A	00-01-0044	Gasket set, B 56	——	@1	4SMS-123cc		
	00-01-0268	Gasket set, B 57	——	@1	4SMS-138cc		
B	00-01-0286	Dowel pin set	——	@2			

Cylinder 4SMS (148cc)



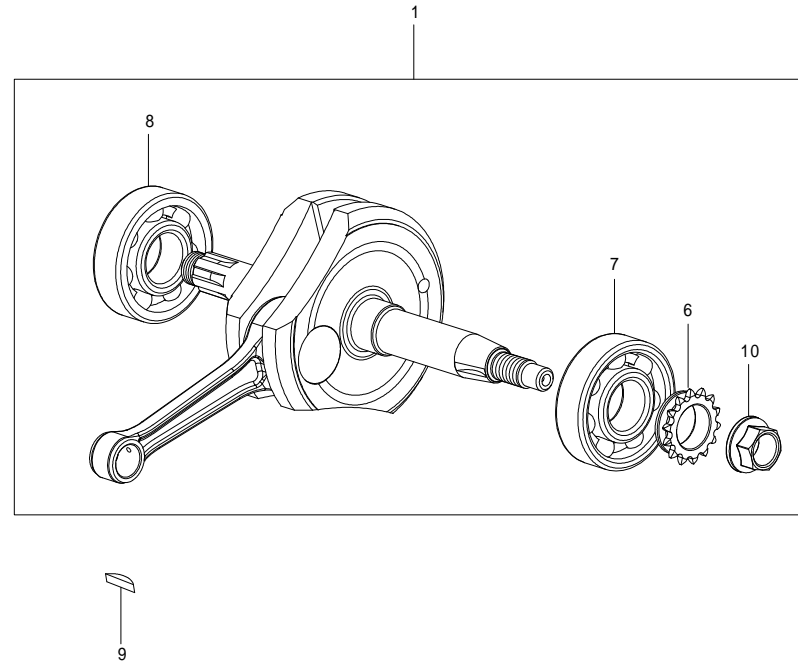
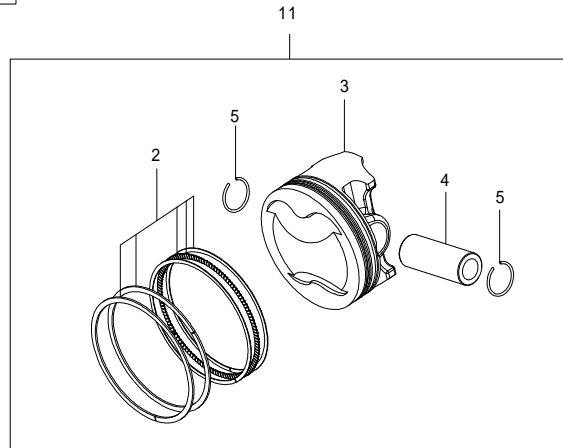
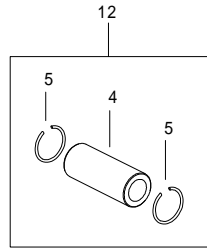
No.	Part No.	Part Name	Qty	In packs of	Type	Initial applicable serial No.	Final applicable serial No.
1	12111-4ST-T00	Aluminum cylinder,59 mm	1	1	4SMS-148cc		
2	12251-4VP-T02	Cylinder head gasket, 59mm	1	1	4SMS-148cc		
3	12191-4VP-T01	Cylinder gasket	1	1			
4	00-01-0066	Rubber packing, Black	1	1			
5	00-00-0194	Dowel pin, 8X14	2	2			
6	00-00-0193	Dowel pin, 8X12	2	2			
7	00-00-0043	Socket cap screw, 6X20	1	10			
8	90145-GEY-T00	Oil plug bolt	1	1	4SMS-148cc		
9	00-07-0010	Sealing washer, 10mm	1	10	4SMS-148cc		
A	00-01-0269	Gasket set, B	—	@1	4SMS-148cc		
B	00-01-0286	Dowel pin set	—	@2			

Cam chain/Tensioner 4SMS (123/138/148cc)



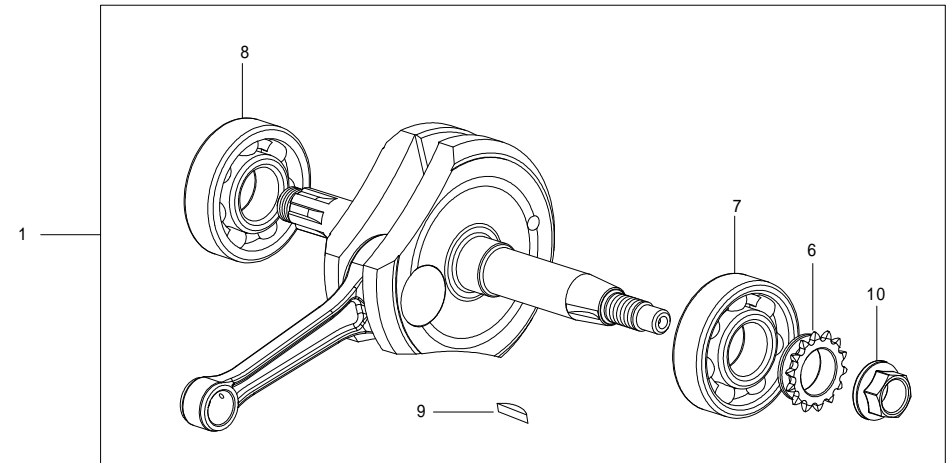
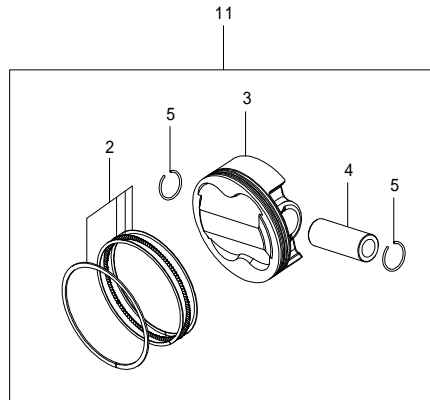
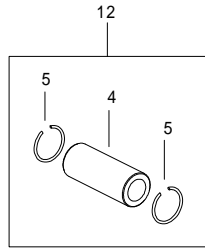
No.	Part No.	Part Name	Qty	In packs of	Type	Initial applicable serial No.	Final applicable serial No.
1	01-14-0002	Cam chain, 82L	1	1	4SMS-123cc	4SMS-00001 ~	
	01-14-0003	Cam chain, 84L	1	1	4SMS-138cc	4SMS-00001 ~	
	01-14-0006	Cam chain, 86L	1	1	4SMS-148cc	4SMS-20001 ~	
2	00-01-0274	Cam chain tensioner arm	1	1			
3	00-01-0275	Cam chain tensioner roller	1	1			
4	00-01-0276	Cam chain tensioner pivot	1	1			
5	00-01-0277	Cam chain tensioner spring	1	1			
6	00-01-0278	Cam chain tensioner push rod COMP.	1	1			
7	00-01-0279	Cam chain tensioner push rod head	1	1			
8	00-01-0289	Cam chain guide roller	1	1			
9	00-01-0291	Cam chain guide roller pin	1	1			
10	00-01-0288	Sealing washer, 8mm	1	5			
11	00-01-0122	Cam chain guide roller COMP.	1	1			
12	00-01-0280	Sealing bolt, 14mm	1	1			
13	00-01-0281	Sealing washer, 14mm	1	5			
14	00-00-2780	Sealing washer, 6.5X12	1	1			
15	00-00-0174	Flange bolt, 6X16	1	6			
16	00-01-0123	Cam chain guide roller bolt	1	1			
17	00-01-0118	Plain washer, 6.5X16X2.6	1	2			

Piston/Crankshaft 4SMS (123/138cc)



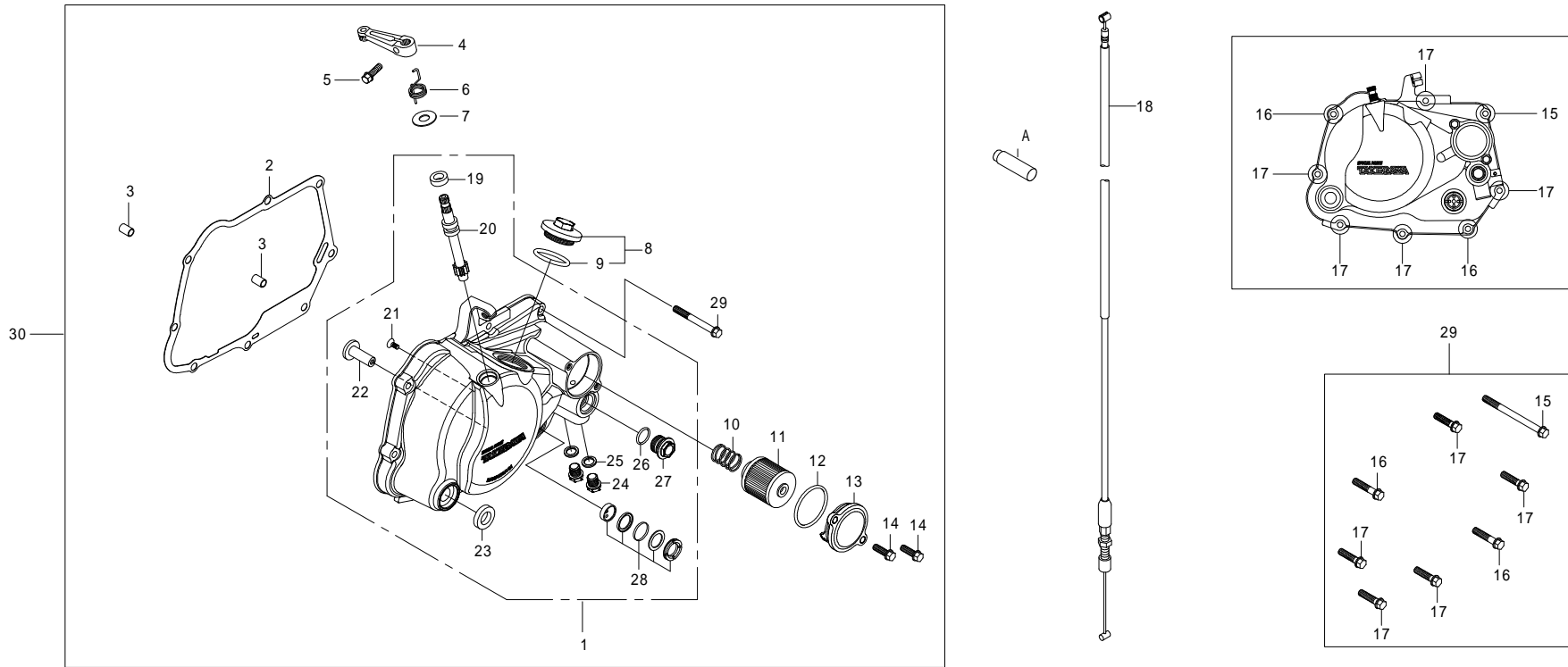
No.	Part No.	Part Name	Qty	In packs of	Type	Initial applicable serial No.	Final applicable serial No.
1	01-10-0071T	Crankshaft COMP., 50mm	1	1	4SMS-123cc	4SMS-00001 ~	
	01-10-0091T	Crankshaft COMP., 54mm	1	1	4SMS-138cc	4SMS-00001 ~	
2	01-15-020	Piston ring set, 56mm	1	1	4SMS-123cc	4SMS-00001 ~	
	01-15-017	Piston ring set, 57mm	1	1	4SMS-138cc	4SMS-00001 ~	
3	13108-4SS-T20	Piston, 56mm	1	1	4SMS-123cc	4SMS-00001 ~	
	13109-4SS-T20	Piston, 57mm	1	1	4SMS-138cc	4SMS-00001 ~	
4	13111-GEF-T00	Piston pin, 13X36	1	1	4SMS-123cc/138cc	4SMS-00001 ~	
5	00-01-0003	Piston pin circlip, 13mm	2	6	4SMS-123cc/138cc	4SMS-00001 ~	
6	00-01-0293	Timing sprocket, 14T	1	1			
7	00-01-0045	Radial ball bearing	1	1			
8	00-01-0245	SPL-Radial ball bearing	1	1			
9	00-01-0011	Woodruff key, 4mm	1	1			
10	00-01-0292	Flange nut, 12mm	1	1			
11	01-02-8254	Piston set, 56mm	—	1SET	4SMS-123cc	4SMS-00001 ~	
	01-02-8250	Piston set, 57mm	—	1SET	4SMS-138cc	4SMS-00001 ~	
12	00-01-0091	Piston set (with circlip)	—	1SET	4SMS-123cc/138cc	4SMS-00001 ~	

Piston/Crankshaft 4SMS (148cc)



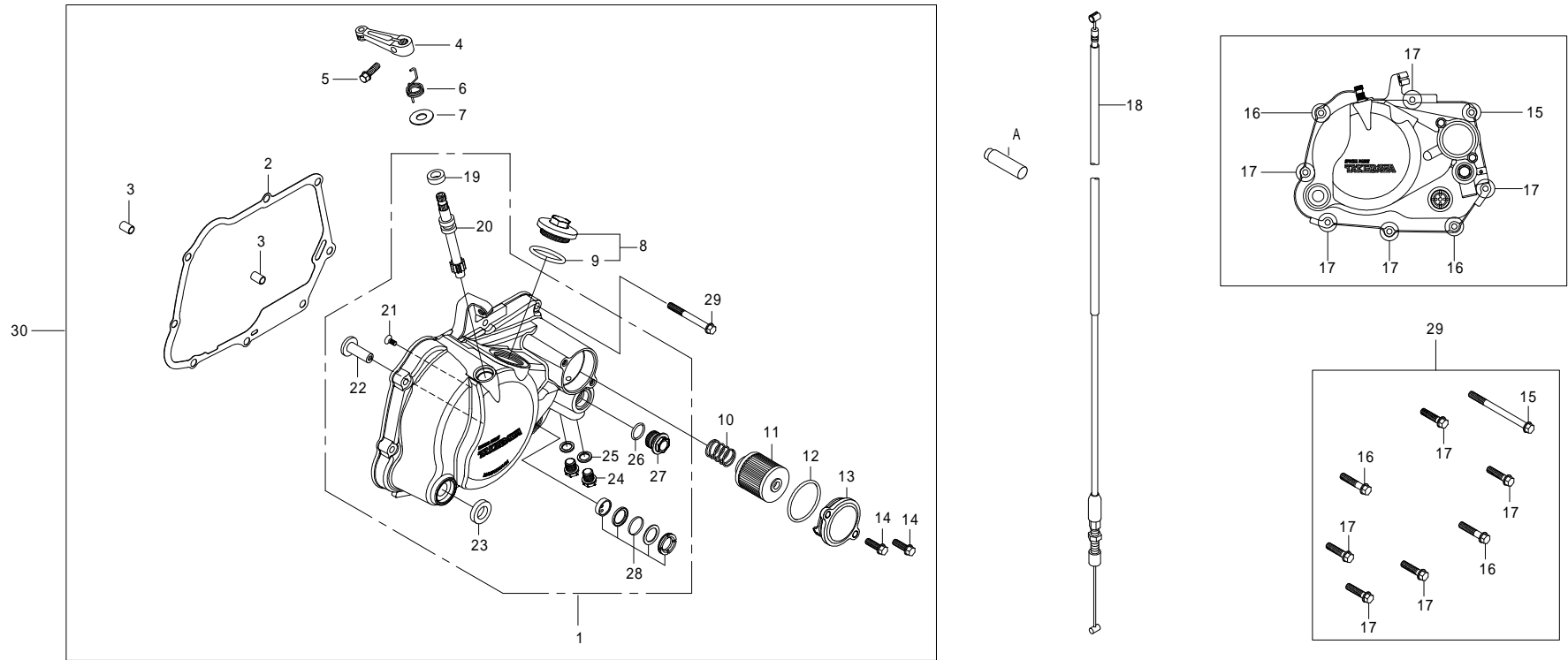
No.	Part No.	Part Name	Qty	In packs of	Type	Initial applicable serial No.	Final applicable serial No.
1	01-10-0114	Crankshaft COMP., 54mm	1	1	4SMS-148cc	4SMS-20001 ~	
2	01-15-0105	Piston ring set, 59mm	1	1	4SMS-148cc	4SMS-20001 ~	
3	13110-4SS-T00	Piston, 59mm	1	1	4SMS-148cc	4SMS-20001 ~	
4	13111-KN4-T01	Piston pin, 14X36.3	1	1	4SMS-148cc	4SMS-20001 ~	
5	00-01-0052	Piston pin circlip, 14mm	2	6	4SMS-148cc	4SMS-20001 ~	
6	00-01-0293	Timing sprocket, 14T	1	1	4SMS-148cc	4SMS-20001 ~	
7	00-01-0045	Radial ball bearing	1	1			
8	00-01-0245	SPL-Radial ball bearing	1	1			
9	00-01-0011	Woodruff key, 4mm	1	1			
10	00-01-0292	Flange nut, 12mm	1	1			
11	01-02-8252	Piston set, 59mm	———	1SET	4SMS-148cc	4SMS-20001 ~	
12	00-01-0114	Piston set (with circlip)	———	1SET	4SMS-148cc	4SMS-20001 ~	

Right-side crankcase cover 4SMS (Wet-Type)



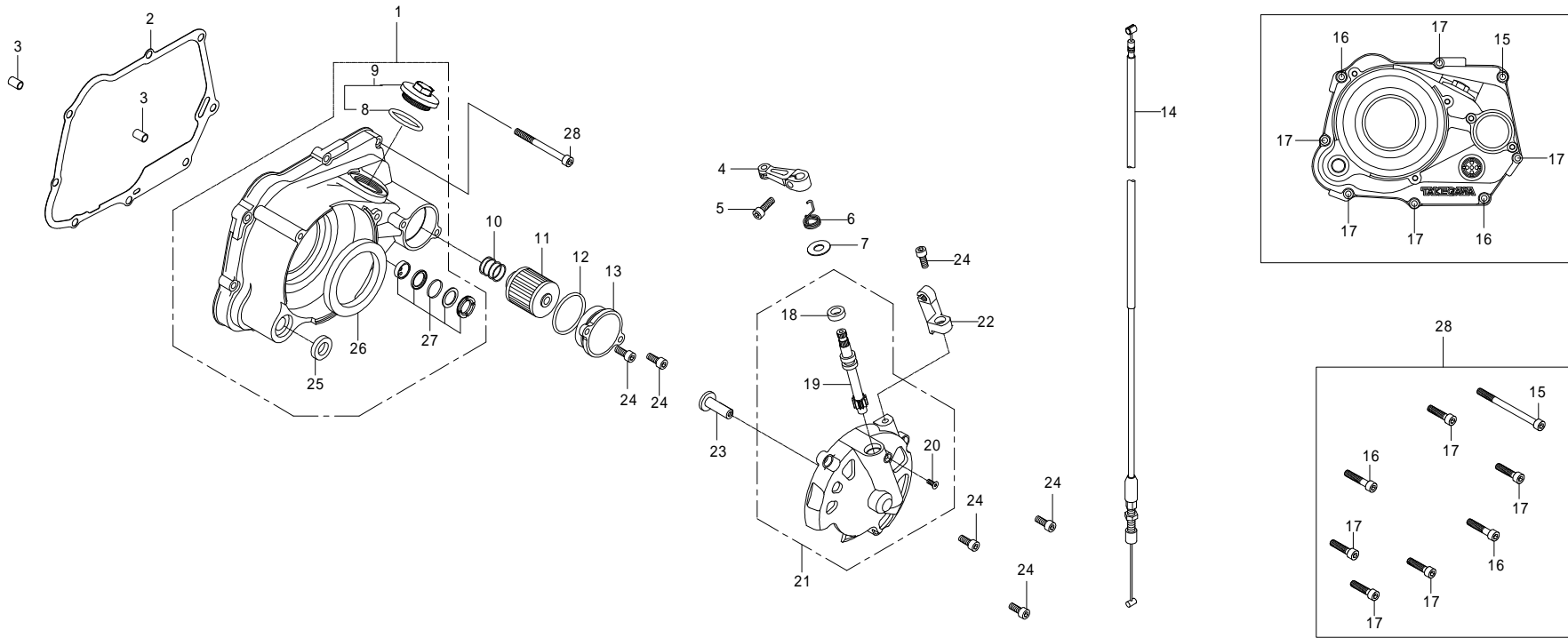
No.	Part No.	Part Name	Qty	In packs of	Type	Initial applicable serial No.	Final applicable serial No.
1		Right-side crankcase cover COMP.	1				
2	22812-181-T00	Right-side crankcase cover gasket	1	1			
3	00-00-0153	Dowel pin, 8X12	2	2			
4	00-02-0106	Clutch release arm	1	1			
5	00-00-0023	Flange bolt, 6X18	1	5			
6	22815-165-T00	Clutch release arm spring	1	1			
7	00-00-0151	Plain washer	1	10			
8	12361-GEF-T00	Hole cap	1	@1			
9	00-01-0034	O-ring, 30mm	1	4			
10	15413-181-T00	Oil filter spring	1	1			
11	00-02-0027	Oil filter element	1	1			
12	00-02-0040	O-ring, 40mm	1	1			
13	15412-GEF-T10	Oil filter cover	1	1			
14	00-00-0174	Flange bolt, 6X16	2	6			
15	00-00-0337	Flange bolt, 6X70	1	4			
16	00-00-0187	Flange bolt, 6X32	2	5			
17	00-00-0115	Flange bolt, 6X25	5	5			
18	00-02-0107	Clutch cable COMP., (910mm)	1	1			
19	00-02-0006	Oil seal, 10X17X5	1	1			

Right-side crankcase cover 4SMS (Wet-Type)



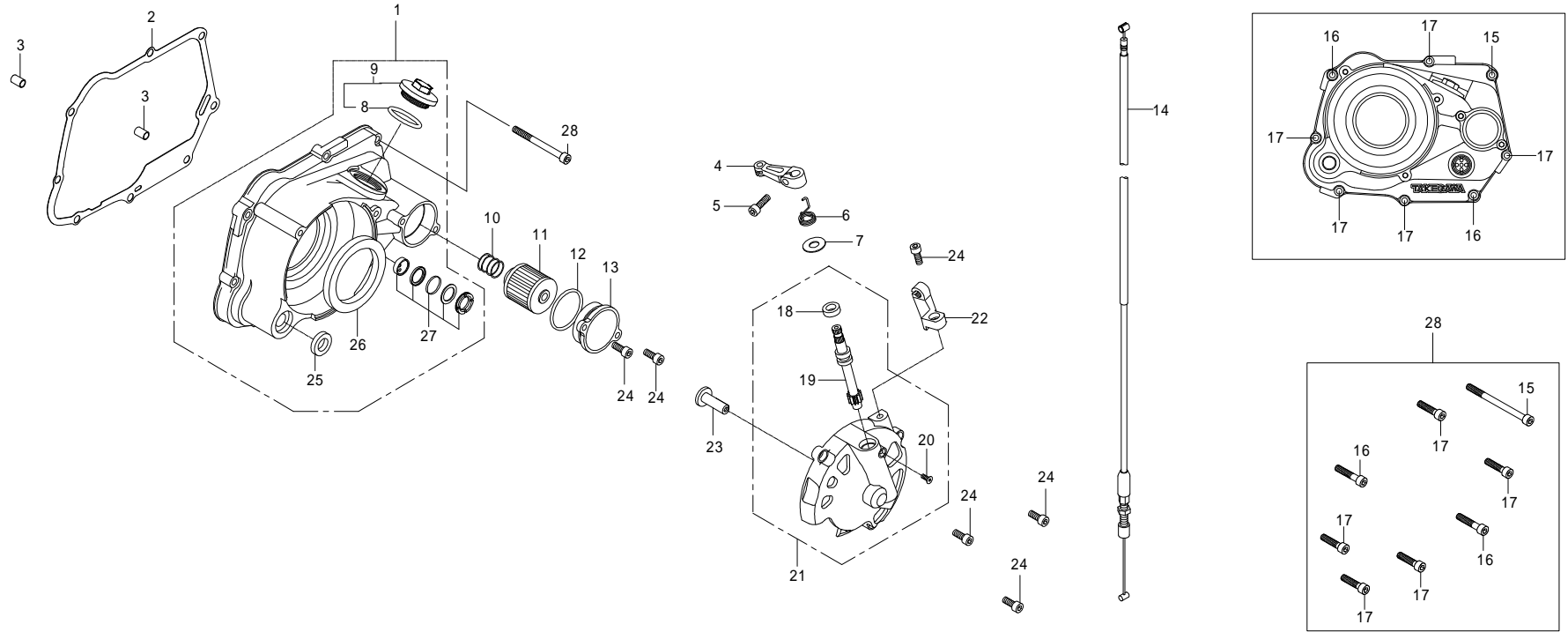
No.	Part No.	Part Name	Qty	In packs of	Type	Initial applicable serial No.	Final applicable serial No.
20	00-02-0033	Clutch release pinion	1	1			
21	00-00-0100	Flat head screw, 4X10	1	10			
22	00-02-0039	Clutch release rack	1	1			
23	00-02-0032	Oil seal, 13.7X24X5	1	1			
24	90145-GEY-T00	Oil plug bolt	2	1			
25	00-07-0010	Aluminum sealing washer	2	10			
26	00-00-0185	O-ring, 15mm	1	5			
27	15411-GEF-T00	Thermostat hole cap	1	1			
28	00-02-0031	Oil pot window set	1	@1			
29	00-02-0287	Flange bolt set	_____	1SET			
30	02-01-503AL	Special clutch cover set	_____				
A	00-02-0111	Oil hole plug	1	1			

Right-side crankcase cover 4SMS (Dry-Type)



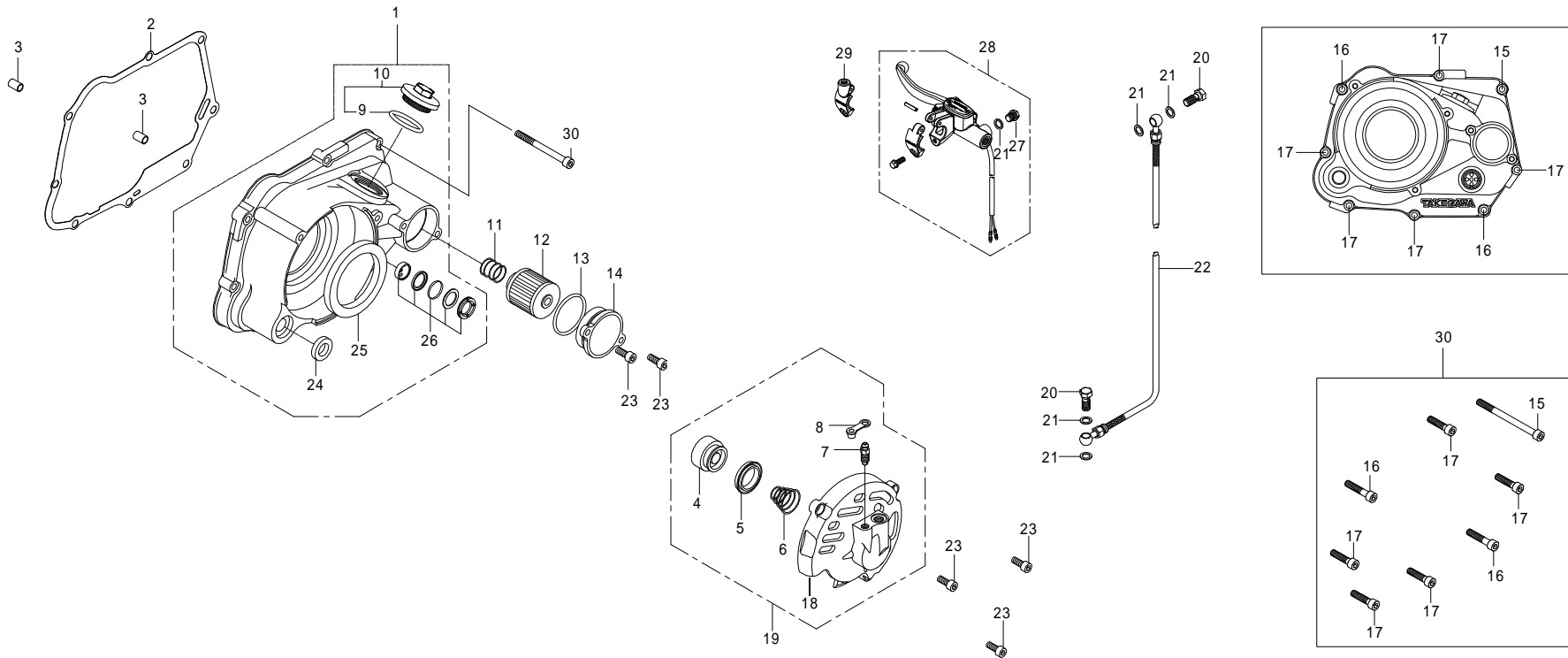
No.	Part No.	Part Name	Qty	In packs of	Type	Initial applicable serial No.	Final applicable serial No.
1	00-02-0068	Right-side crankcase cover COMP.	1	1	Optional parts		
2	00-01-0095	Right-side crankcase cover gasket	1	1			
3	00-00-0153	Dowel pin, 8X12	2	2			
4	00-02-0106	Clutch release arm	1	1			
5	00-00-0312	Socket cap screw, 6X20	1	2	Optional parts		
6	00-02-0112	Clutch release arm spring	1	1			
7	00-00-0151	Plain washer, 10mm	1	10			
8	00-01-0034	O - ring, 30mm	1	4			
9	12361-GEF-T00	Hole cap	1	@1			
10	15413-181-T00	Oil filter spring	1	1			
11	00-02-0027	Oil filter element	1	1			
12	00-02-0040	O - ring, 40mm	1	1			
13	15411-181-T00	Oil filter cover	1	1	Optional parts		
14	00-02-0107	Clutch cable COMP., (910mm)	1	1			
15	00-00-0081	Socket cap screw, 6X70	1	2	Optional parts		
16	00-00-0090	Socket cap screw, 6X30	2	5	Optional parts		
17	00-00-0089	Socket cap screw, 6X25	4	10	Optional parts		
18	00-02-0006	Oil seal, 10X17X5	1	1			
19	00-02-0033	Clutch release pinion	1	1	Optional parts		

Right-side crankcase cover 4SMS (Dry-Type)



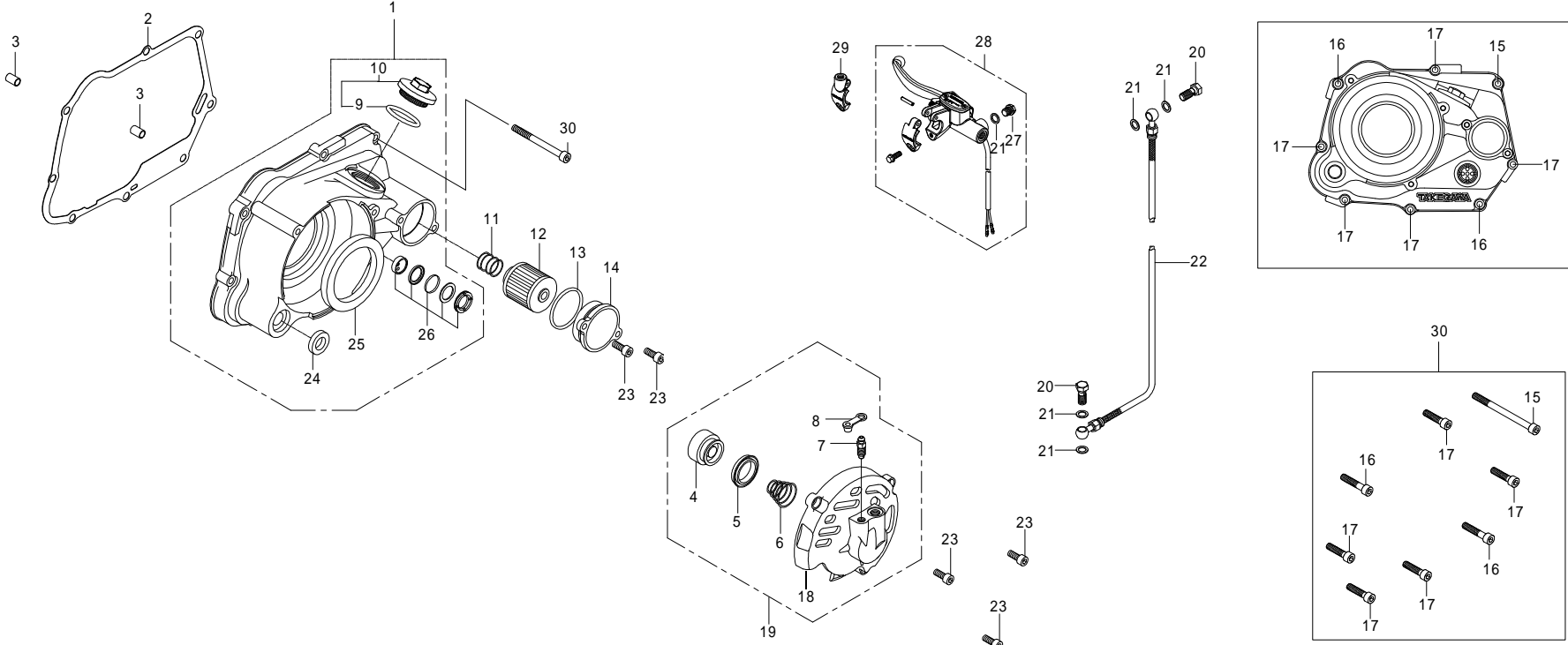
No.	Part No.	Part Name	Qty	In packs of	Type	Initial applicable serial No.	Final applicable serial No.
20	00-00-0190	Flat head screw, 4X10	1	6	Optional parts		
21	11650-181-T00	Clutch cover COMP.	1	1	Optional parts		
22	22839-181-T00	Clutch cable receiver	1	1	Optional parts		
23	00-02-0039	Clutch release rack	1	1			
24	00-00-0042	Socket cap screw, 6X15	6	10	Optional parts		
25	00-02-0032	Oil seal, 13.7X24X5	1	1			
26	00-02-0044	Oil seal, 60X80X8	1	1	Optional parts		
27	00-02-0031	Oil pot window set	1	1SET			
28	00-02-0288	Socket cap screw set		1SET	Optional parts		

Right-side crankcase cover 4SMS (Dry-Hydraulic-Type)



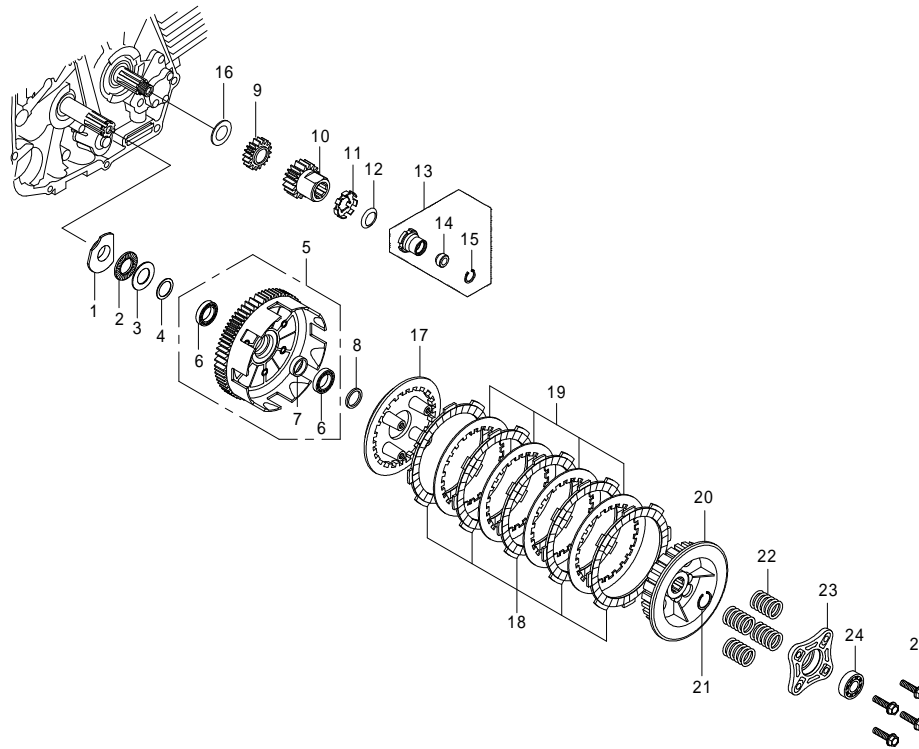
No.	Part No.	Part Name	Qty	In packs of	Type	Initial applicable serial No.	Final applicable serial No.
1	00-02-0068	Right-side crankcase cover COMP.	1	1	Optional parts		
2	00-01-0095	Right-side crankcase cover gasket	1	1			
3	00-00-0153	Dowel pin, 8X12	2	2			
4	22860-181-T00	Clutch release piston COMP.	1	1	Optional parts		
5	00-02-0012	Piston seal	1	1	Optional parts		
6	22863-181-T00	Clutch release spring	1	1	Optional parts		
7	43352-125-T00	Bleeder screw	1	1	Optional parts		
8	43353-125-T00	Bleeder cap	1	1	Optional parts		
9	00-01-0034	O-ring, 30mm	1	4			
10	12361-GEF-T00	Hole cap	1	@1			
11	15413-181-T00	Oil filter spring	1	1			
12	00-02-0027	Oil filter element	1	1			
13	00-02-0040	O-ring, 40mm	1	1			
14	15411-181-T00	Oil filter cover	1	1			
15	00-00-0081	Socket cap screw, 6X70	1	2	Optional parts		
16	00-00-0090	Socket cap screw, 6X30	2	5	Optional parts		
17	00-00-0089	Socket cap screw, 6X25	4	10	Optional parts		
18	11661-181-T00	Hydraulic clutch cover	1	1	Optional parts		
19	00-02-0046	Hydraulic clutch cover COMP.	1	1	Optional parts		

Right-side crankcase cover 4SMS (Dry-Hydraulic-Type)



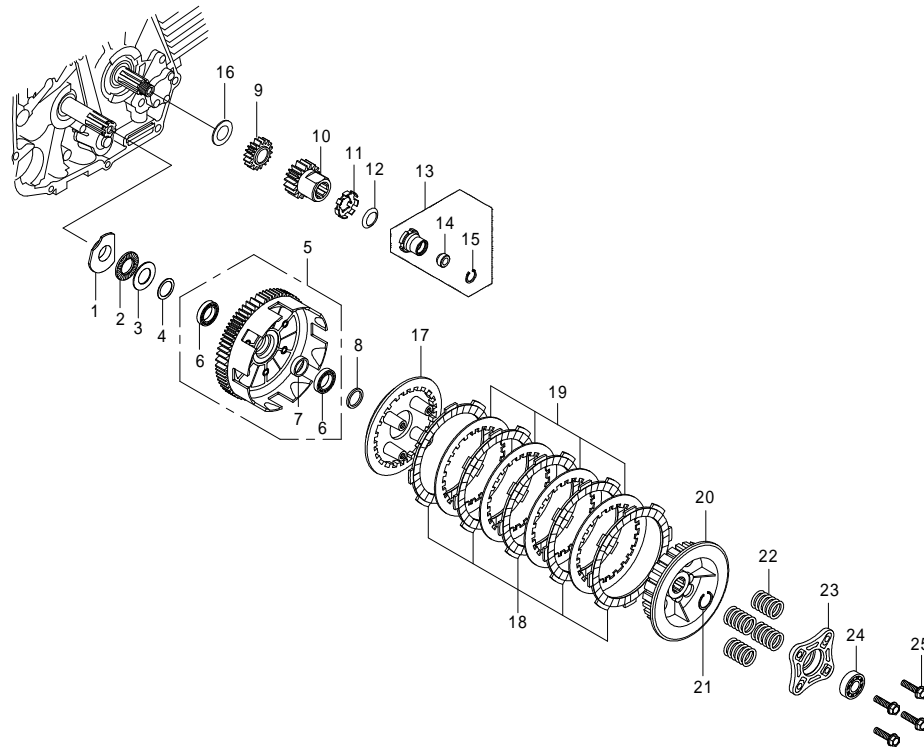
No.	Part No.	Part Name	Qty	In packs of	Type	Initial applicable serial No.	Final applicable serial No.
20	00-07-0007	Banjo bolt, 10X1.25	2	1	Optional parts		
21	00-07-0010	Sealing washer, 10mm	5	10	Optional parts		
22	22910-GEF-T00	Clutch hose COMP. (840mm)	1	1	Optional parts		
23	00-00-0042	Socket cap screw, 6X15	5	10	Optional parts		
24	00-02-0032	Oil seal, 13.8X24X5	1	1			
25	00-02-0044	Oil seal, 60X80X8	1	1	Optional parts		
26	00-02-0031	Oil pot window COMP.	1	1SET			
27	90145-GEY-T00	Oil plug bolt, 10mm	1	1	Optional parts		
28	02-02-2104	Clutch master cylinder ASSY.	1	1SET	Optional parts		
29	22888-125-T00	Mirror adaptor, 10mm	1	1	Optional parts		
	22889-125-T00	Mirror adaptor, 8mm	1	1	Optional parts		
30	00-02-0288	Socket cap screw set		1SET	Optional parts		

Clutch 4SMS (Wet-Type)



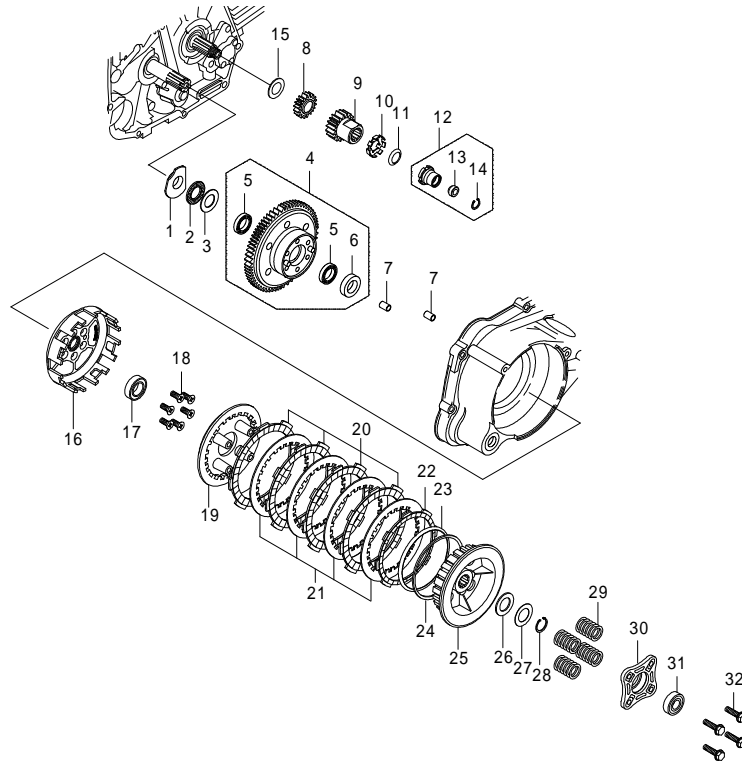
No.	Part No.	Part Name	Qty	In packs of	Type	Initial applicable serial No.	Final applicable serial No.
1	22301-181-T00	Thrust bearing seat	1	1			
2	00-02-0061	Thrust bearing, 17mm	1	1			
3	00-02-0060	Thrust washer, 17X30X1	1	1			
4	00-02-0097	Washer, 17X30X1	1	1			
5	00-02-0030	Clutch outer ASSY.	1	1			
6	00-00-0024	Radial ball bearing, 6803	2	1			
7	28242-181-T00	Distance collar	1	1			
8	23512-GEF-T00	Clutch spacer, 17X21.5X3	1	1			
9	15342-GEF-T00	Oil pump gear	1	1			
10	13121-181-T01	Primary drive gear, 18T	1	1			
11	90431-001-T00	Lock washer, 14mm	1	1			
12	00-02-0036	Conical spring washer, 14mm	1	1			
13	90200-181-T00	Lock nut COMP.	1	1			
14	00-02-0037	Oil seal, 6X13X5	1	1			
15	00-02-0099	C-ring, 13mm	1	5			
16	00-01-0307	Shim ring, 17X30X1	1	1			
17	22350-KRL-T00	Clutch pressure plate	1	1			
18	00-02-0026	Clutch friction disk	5	1			
19	00-02-0029	Clutch plate	4	1			

Clutch 4SMS (Wet-Type)



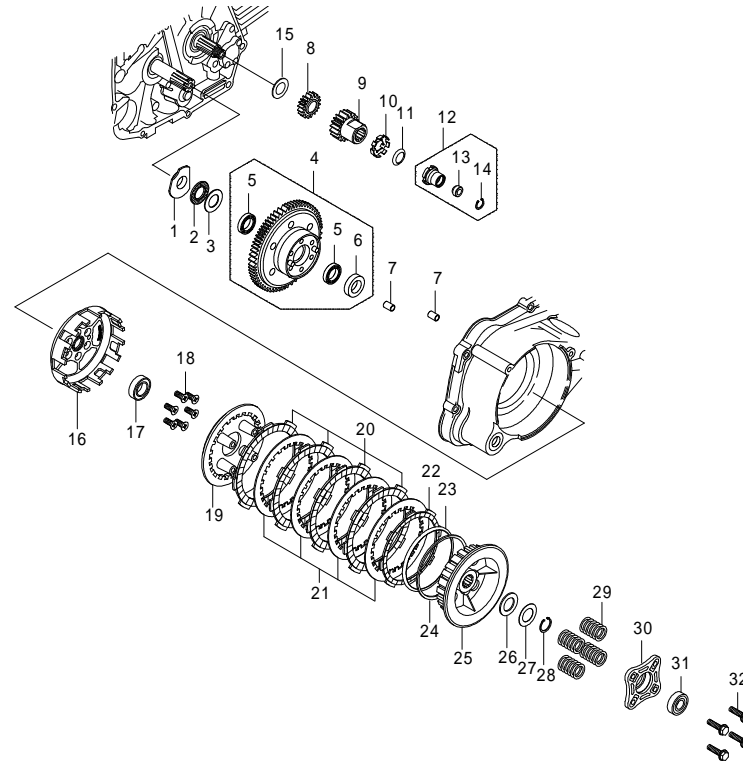
No.	Part No.	Part Name	Qty	In packs of	Type	Initial applicable serial No.	Final applicable serial No.
20	22121-165-T10	Clutch center	1	1			
21	00-02-0005	External circlip, 17mm	1	5			
22	22401-181-T00	Clutch spring	4	1			
23	22361-GEF-T00	Clutch lifter plate	1	1			
24	00-00-0021	Radial ball bearing, 6001	1	1			
25	00-02-0098	Flange bolt, 6X22	4	4			

Clutch 4SMS (Dry-Type)



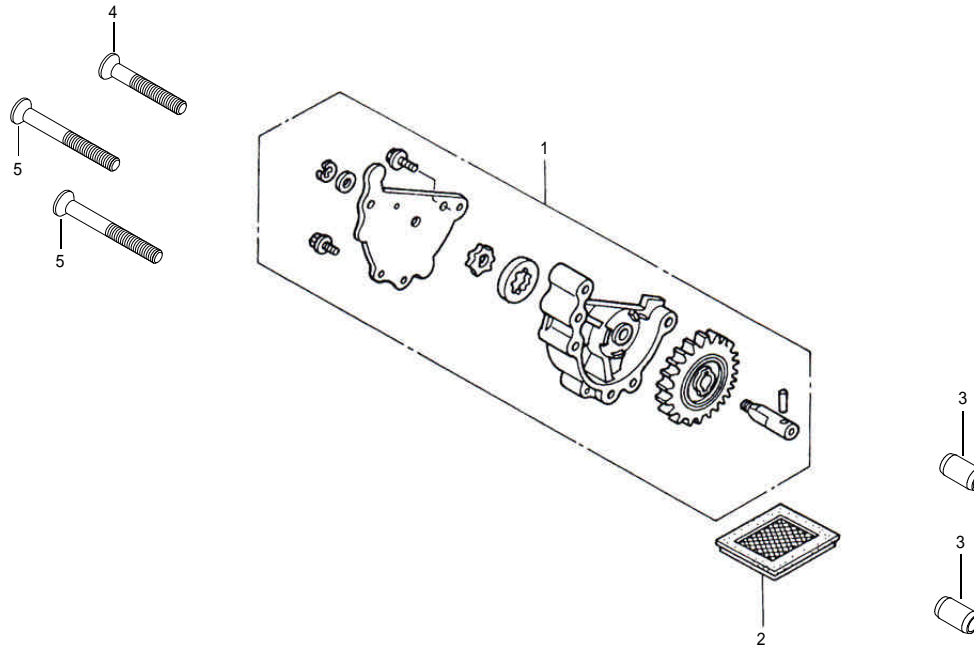
No.	Part No.	Part Name	Qty	In packs of	Type	Initial applicable serial No.	Final applicable serial No.
1	22301-181-T00	Thrust bearing seat	1	1			
2	00-02-0061	Thrust bearing, 17mm	1	1			
3	00-02-0060	Thrust washer, 17X30X1	1	1			
4	00-02-0071	Primary driven gear COMP., 67T	1	1	Optional parts		
5	00-00-0024	Radial ball bearing. 6803	2	1	Optional parts		
6	00-02-0020	Oil seal, 17X28X7	1	1	Optional parts		
7	00-00-0153	Dowel pin, 8X12	2	1	Optional parts		
8	15342-GEF-T00	Oil pump gear	1	1			
9	13121-181-T01	Primary drive gear, 18T	1	1			
10	90431-001-T00	Lock washer, 14mm	1	1			
11	00-02-0036	Conical spring washer, 14mm	1	1			
12	90200-181-T00	Lock nut COMP.	1	1			
13	00-02-0037	Oil seal, 6X13X5	1	1			
14	00-02-0099	C-ring, 13mm	1	5			
15	00-01-0307	Shim ring, 17X30X1	1	1			
16	23101-165-T10	Clutch outer	1	1	Optional parts		
17	00-00-0035	Radial ball bearing. 6903	1	1	Optional parts		
18	00-00-0031	Flat head screw, 6X15	6	5	Optional parts		
19	22350-181-T00	Clutch pressure plate	1	1	Optional parts		

Clutch 4SMS (Dry-Type)



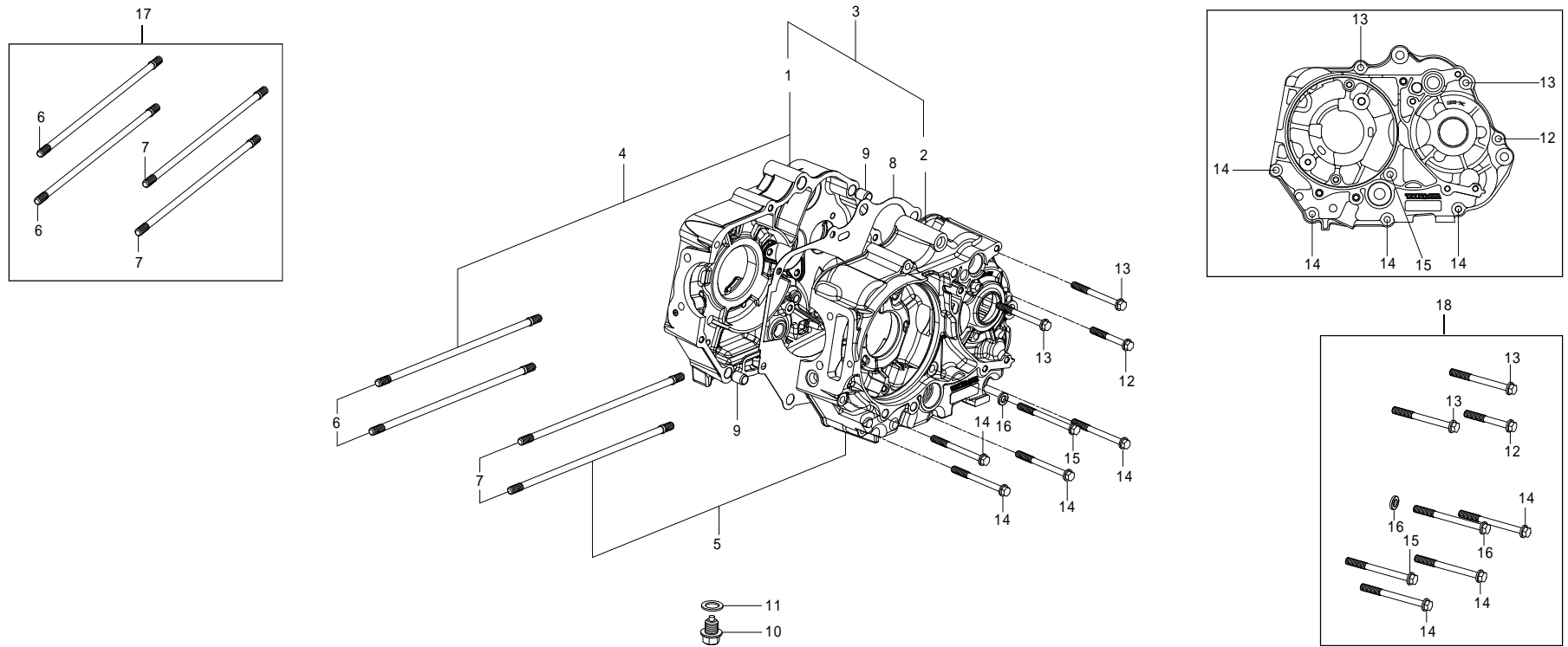
No.	Part No.	Part Name	Qty	In packs of	Type	Initial applicable serial No.	Final applicable serial No.
20	00-02-0003	Clutch friction disk	4	1	Optional parts		
21	00-02-0029	Clutch plate	4	1			
22	00-02-0202	Clutch friction disk B	1	1	Optional parts		
23	00-02-0203	Judder spring	1	1	Optional parts		
24	22125-GEF-T00	Judder spring seat	1	1	Optional parts		
25	22120-165-T00	Clutch center	1	1	Optional parts		
26	00-00-0368	Shim ring, 17X24X0.2	1	1	Optional parts		
27	00-00-0369	Shim ring, 17X24X0.1	1	1	Optional parts		
28	00-02-0005	External circlip, 17mm	1	5			
29	22401-181-T00	Clutch spring	4	1			
30	22361-GEY-T10	Clutch lifter plate	1	1	Optional parts		
31	00-00-0026	Shield bearing, 6001	1	1	Optional parts		
32	00-02-0098	Flange bolt, 6X22	2	4			

Oil pump 4SMS



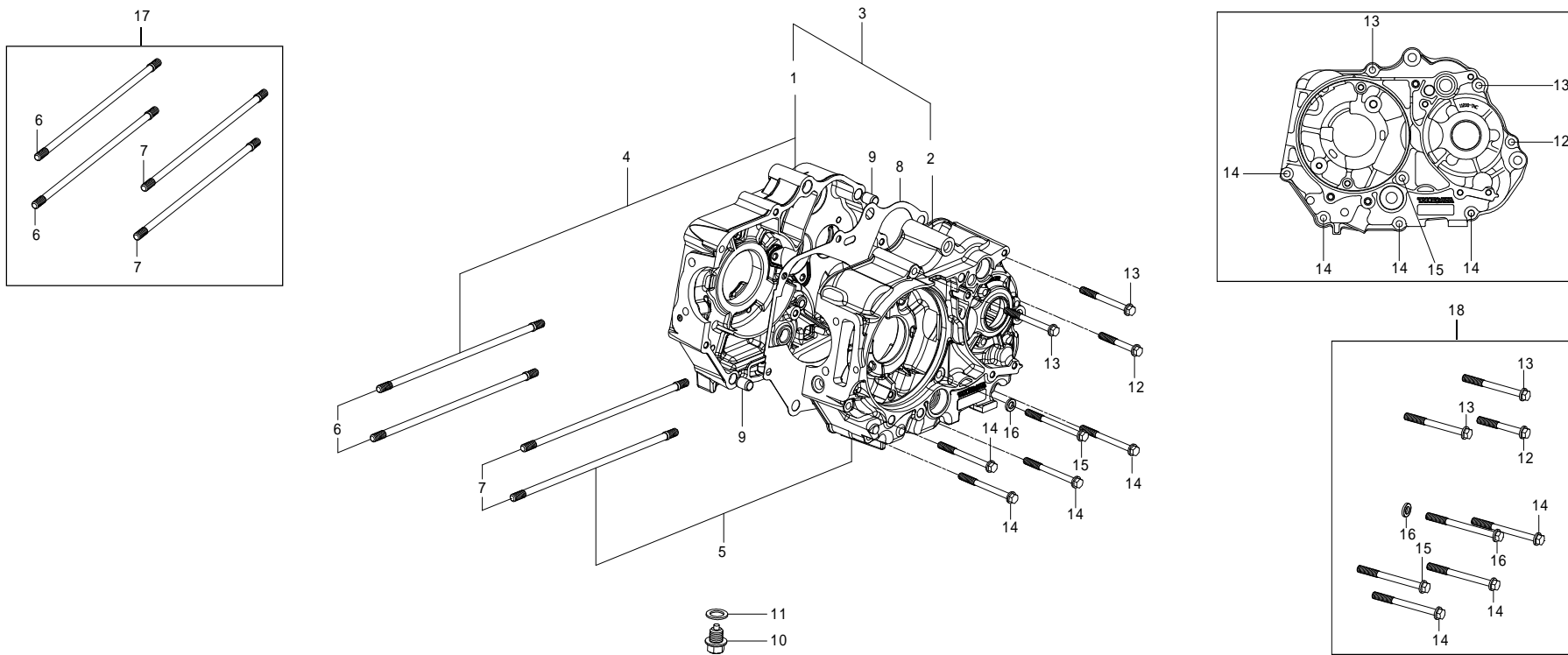
No.	Part No.	Part Name	Qty	In packs of	Type	Initial applicable serial No.	Finall applicable serial No.
1	00-01-0119	Oil pump COMP.	1	1			
2	00-01-0308	Oil filter screen	1	1			
3	00-00-0153	Dowel pin, 8X12	2	2			
4	00-00-0155	Flat head screw, 6X35	1	4			
5	00-00-0157	Flat head screw, 6X45	2	4			

Crankcase 4SMS (123cc/138cc/148cc)



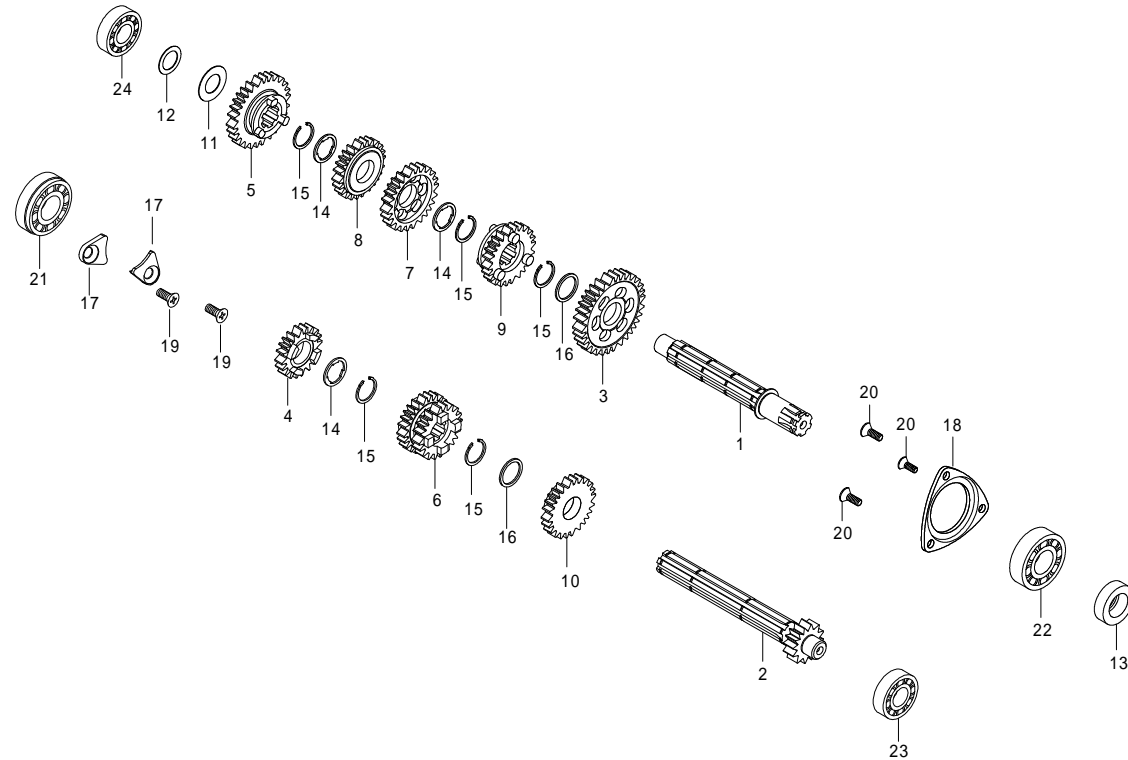
No.	Part No.	Part Name	Qty	In packs of	Type	Initial applicable serial No.	Final applicable serial No.
1		Crankcase COMP., Right-side	1				
2		Crankcase COMP., Left-side	1				
3	00-01-0270	Crankcase set, R.L.		@1	4SMS-123cc	4SMS-00001 ~	
	00-01-0271	Crankcase set, R.L.		@1	4SMS-138cc	4SMS-00001 ~	
	00-01-0272	Crankcase set, R.L.		@1	4SMS-148cc	4SMS-20001 ~	
4	11102-4NM-T11	Crankcase ASSY., R (with seal / bearing)	1	1	4SMS-123cc	4SMS-00001 ~	
	11102-4NM-T01	Crankcase ASSY., R (with seal / bearing)	1	1	4SMS-138cc	4SMS-00001 ~	
	11102-4NM-T20	Crankcase ASSY., R (with seal / bearing)	1	1	4SMS-148cc	4SMS-20001 ~	
5	11202-4NM-T11	Crankcase ASSY., L (with seal / bearing)	1	1	4SMS-123cc	4SMS-00001 ~	
	11202-4NM-T02	Crankcase ASSY., L (with seal / bearing)	1	1	4SMS-138cc	4SMS-00001 ~	
	11202-4NM-T20	Crankcase ASSY., L (with seal / bearing)	1	1	4SMS-148cc	4SMS-20001 ~	
6	00-01-0296	Cylinder stud bolt, A	2	2	4SMS-123cc	4SMS-00001 ~	
	00-01-0297	Cylinder stud bolt, A	2	2	4SMS-138cc	4SMS-00001 ~	
	00-01-0312	Cylinder stud bolt, A	2	2	4SMS-148cc	4SMS-20001 ~	
7	00-01-0299	Cylinder stud bolt, B	2	2	4SMS-123cc	4SMS-00001 ~	
	00-01-0300	Cylinder stud bolt, B	2	2	4SMS-138cc	4SMS-00001 ~	
	00-01-0313	Cylinder stud bolt, B	2	2	4SMS-148cc	4SMS-20001 ~	
8	00-01-0244	Crankcase gasket	1	1			
9	00-01-0124	Dowel pin, 10X14	2	2			

Crankcase 4SMS (123cc/138cc/148cc)



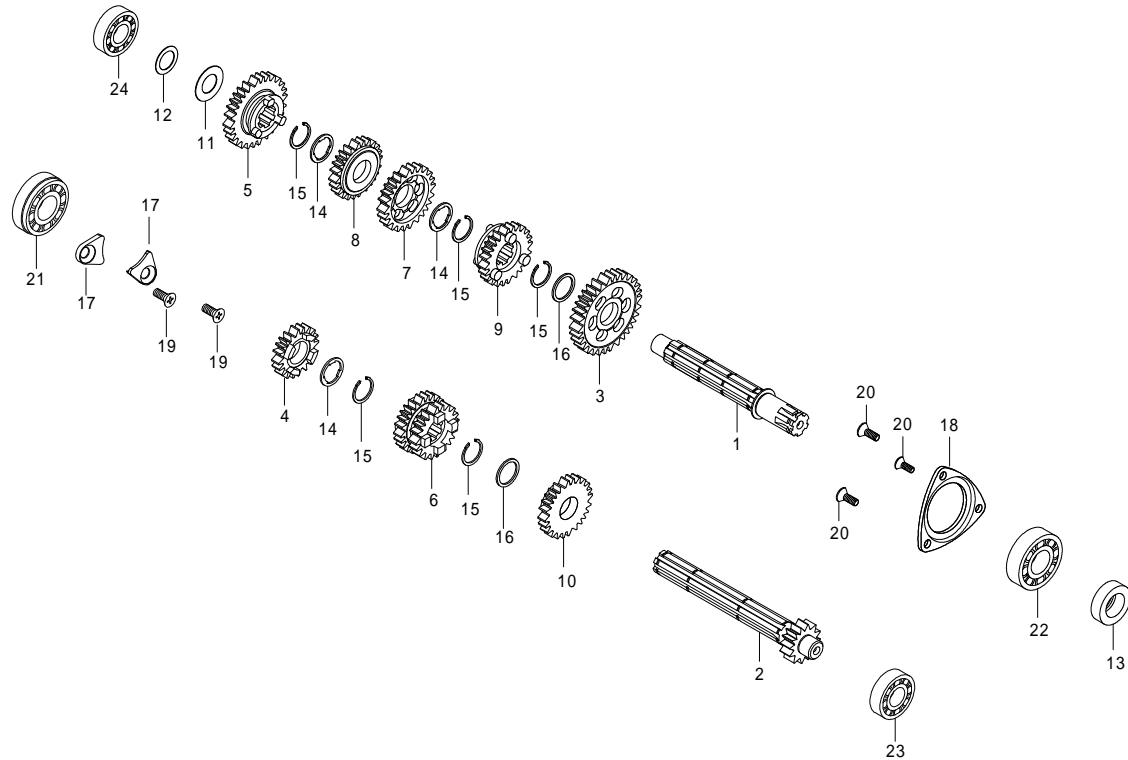
No.	Part No.	Part Name	Qty	In packs of	Type	Initial applicable serial No.	Final applicable serial No.
10	09-08-002	Drain plug bolt, 10X14	1	@1			
11	00-01-0281	Sealing washer, Drain plug	1	5			
12	00-00-0361	Flange bolt, 6X45	1	1			
13	00-00-0381	Flange bolt, 6X60	2	1			
14	00-00-0382	Flange bolt, 6X65	4	1			
15	00-00-0383	Flange bolt, 6X70	1	1			
16	00-01-0029	Sealing washer, copper	1	4			
17	00-00-0387	Cylinder stud bolt set		1SET	4SMS-123cc	4SMS-00001 ~	
	00-00-0386	Cylinder stud bolt set		1SET	4SMS-138cc	4SMS-00001 ~	
	00-00-0385	Cylinder stud bolt set		1SET	4SMS-148cc	4SMS-20001 ~	
18	00-00-0426	Crankcase bolt set		1SET			

Transmission 4SMS (Super touring 5-Speed Wet-Type)



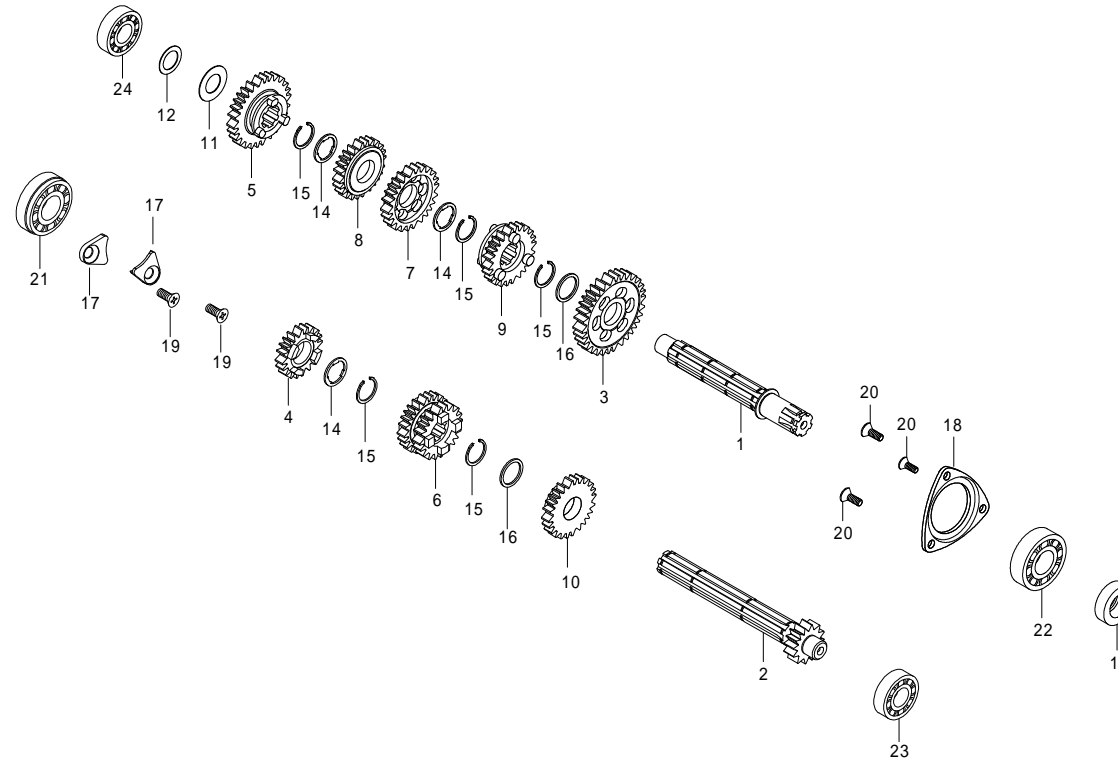
No.	Part No.	Part Name	Qty	In packs of	Type	Initial applicable serial No.	Final applicable serial No.
1	23221-GB4-T10	Countershaft	1	1			
2	23211-GB4-T02	Mainshaft, 14 T	1	1			
3	23421-086-T00	Countershaft, 1ST gear 33 T	1	1			
4	23431-086-T00	Mainshaft, 2ND gear 18 T	1	1			
5	23441-086-T00	Countershaft, 2ND gear 29 T	1	1			
6	23451-086-T00	Mainshaft, 3RD/4TH gear 21/24 T	1	1			
7	23461-086-T00	Countershaft, 3RD gear 25 T	1	1			
8	23481-086-T00	Countershaft, 4HT gear 23 T	1	1			
9	23501-086-T00	Countershaft, 5HT gear 21 T	1	1			
10	23491-086-T00	Mainshaft, 5HT gear 26 T	1	1			
11	00-02-0073	Thrust washer, 12mm	1	2			
12	00-02-0074	Shim ring, 12X18X0.2	1	1			
13	00-01-0309	Oil seal, 17X29X5	1	1			
14	00-02-0023	Spline washer, 17mm	3	5			
15	00-02-0005	External circlip, 17mm	5	5			
16	00-02-0024	Spline washer, S	2	2			
17	00-01-1040	Mainshaft fixing plate (with bolt)	2	1SET			
18	00-01-1041	Countershaft fixing plate (with bolt)	1	1SET			
19	00-00-0384	Flat screw, 6X12	2	2			

Transmission 4SMS (Super touring 5-Speed Wet-Type)



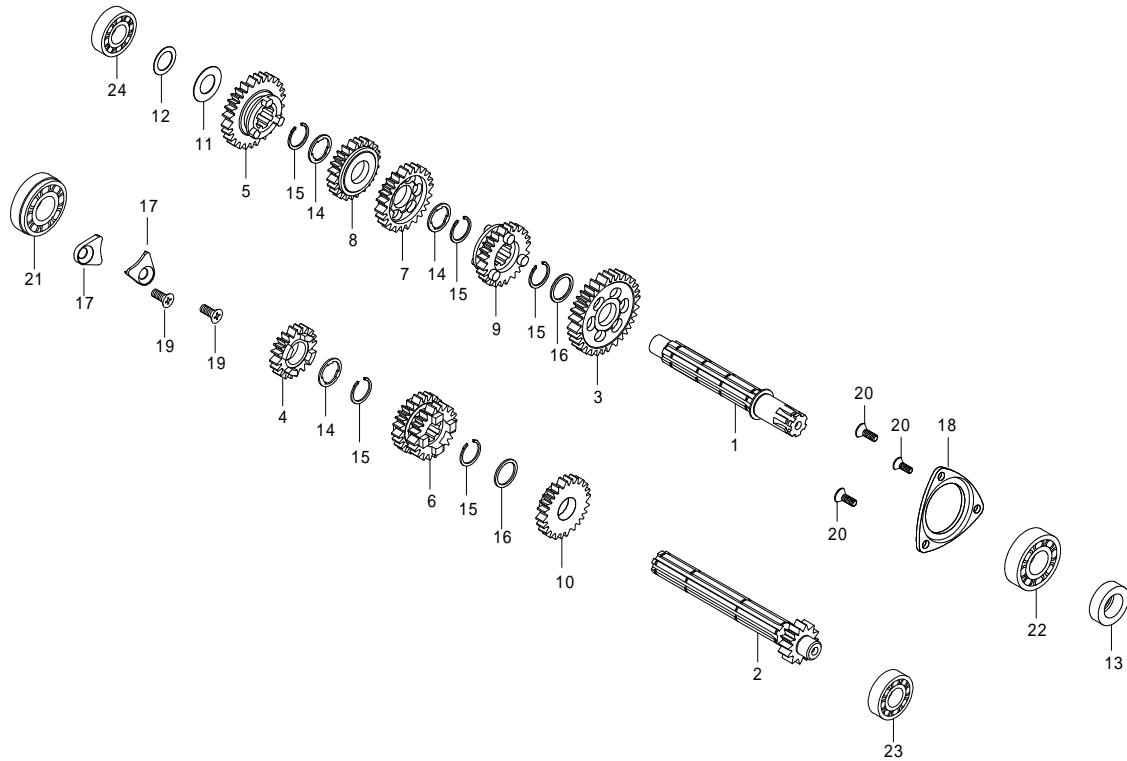
No.	Part No.	Part Name	Qty	In packs of	Type	Initial applicable serial No.	Final applicable serial No.
20	00-00-2778	Flat screw, 5 X10	3	4			
21	96100-6203-T0	Radial ball bearing, 6203SPL	1	1			
22	00-02-0267	Radial ball bearing, 6203	1	1			
23	00-00-0021	Radial ball bearing, 6001	1	1			
24	00-00-0436	Radial ball bearing, 6201	1	1			

Transmission 4SMS (Super street 5-Speed Wet-Type)



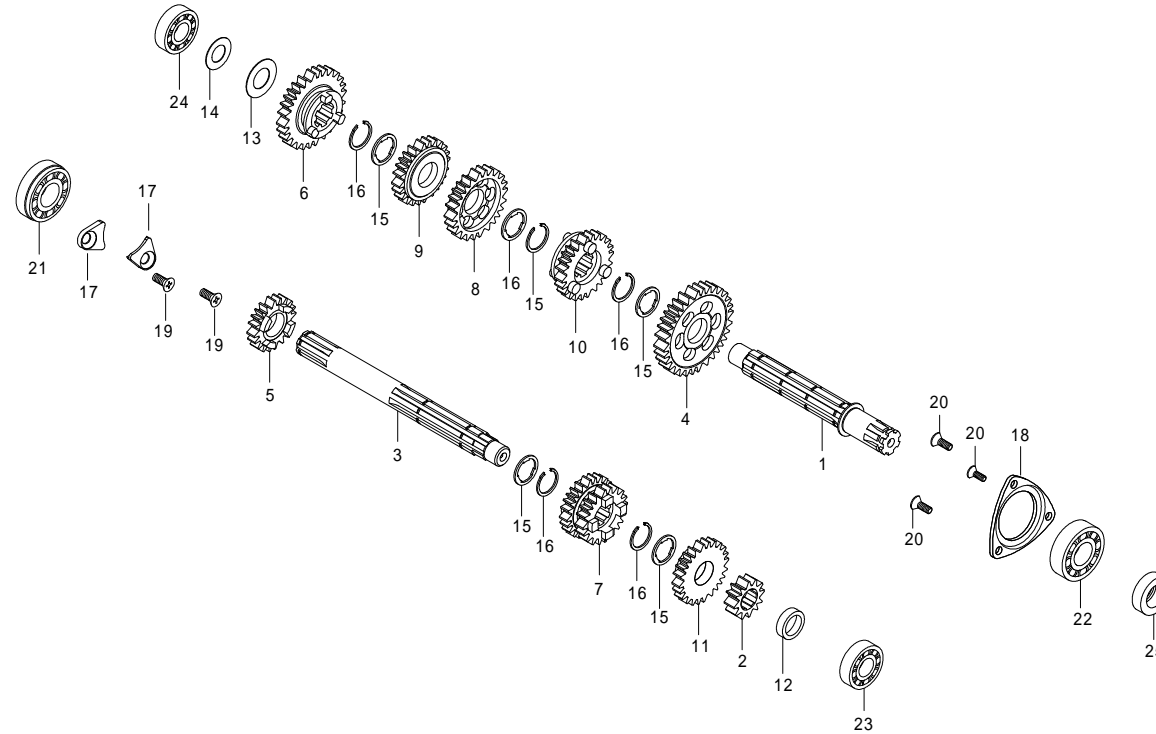
No.	Part No.	Part Name	Qty	In packs of	Type	Initial applicable serial No.	Final applicable serial No.
1	23221-GB4-T10	Countershaft	1	1			
2	23211-GB4-T02	Mainshaft, 14 T	1	1			
3	23421-086-T00	Countershaft, 1ST gear 33 T	1	1			
4	23431-GEL-T00	Mainshaft, 2ND gear 17 T	1	1	Optional parts		
5	23441-GEL-T00	Countershaft, 2ND gear 30 T	1	1	Optional parts		
6	23451-GEL-T00	Mainshaft, 3RD/4TH gear 20/22 T	1	1	Optional parts		
7	23461-GEL-T00	Countershaft, 3RD gear 28 T	1	1	Optional parts		
8	23481-GEL-T00	Countershaft, 4HT gear 25 T	1	1	Optional parts		
9	23501-GEL-T00	Countershaft, 5HT gear 24 T	1	1	Optional parts		
10	23491-GEL-T00	Mainshaft, 5HT gear 24 T	1	1	Optional parts		
11	00-02-0073	Thrust washer, 12mm	1	2			
12	00-02-0074	Shim ring, 12X18X0.2	1	1			
13	00-01-0309	Oil seal, 17X29X5	1	1			
14	00-02-0023	Spline washer, 17mm	3	5			
15	00-02-0005	External circlip, 17mm	5	5			
16	00-02-0024	Spline washer, S	2	2			
17	00-01-1040	Mainshaft fixing plate (with bolt)	2	1SET			
18	00-01-1041	Countershaft fixing plate (with bolt)	1	1SET			
19	00-00-0384	Flat screw, 6X12	2	2			

Transmission 4SMS (Super street 5-Speed Wet-Type)



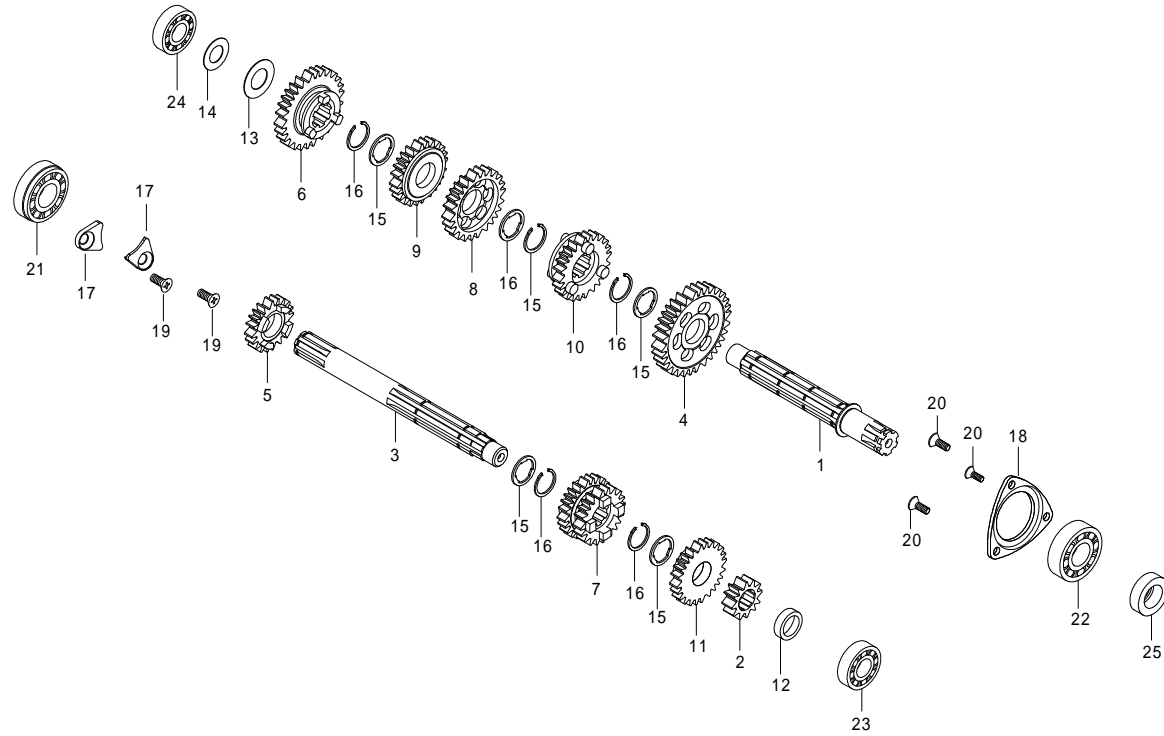
No.	Part No.	Part Name	Qty	In packs of	Type	Initial applicable serial No.	Final applicable serial No.
20	00-00-2778	Flat screw, 5 X10	3	4			
21	96100-6203-T0	Radial ball bearing, 6203SPL	1	1			
22	00-02-0267	Radial ball bearing, 6203	1	1			
23	00-00-0021	Radial ball bearing, 6001	1	1			
24	00-00-0436	Radial ball bearing, 6201	1	1			

Transmission 4SMS (Super touring 5-Speed Dry-Type)



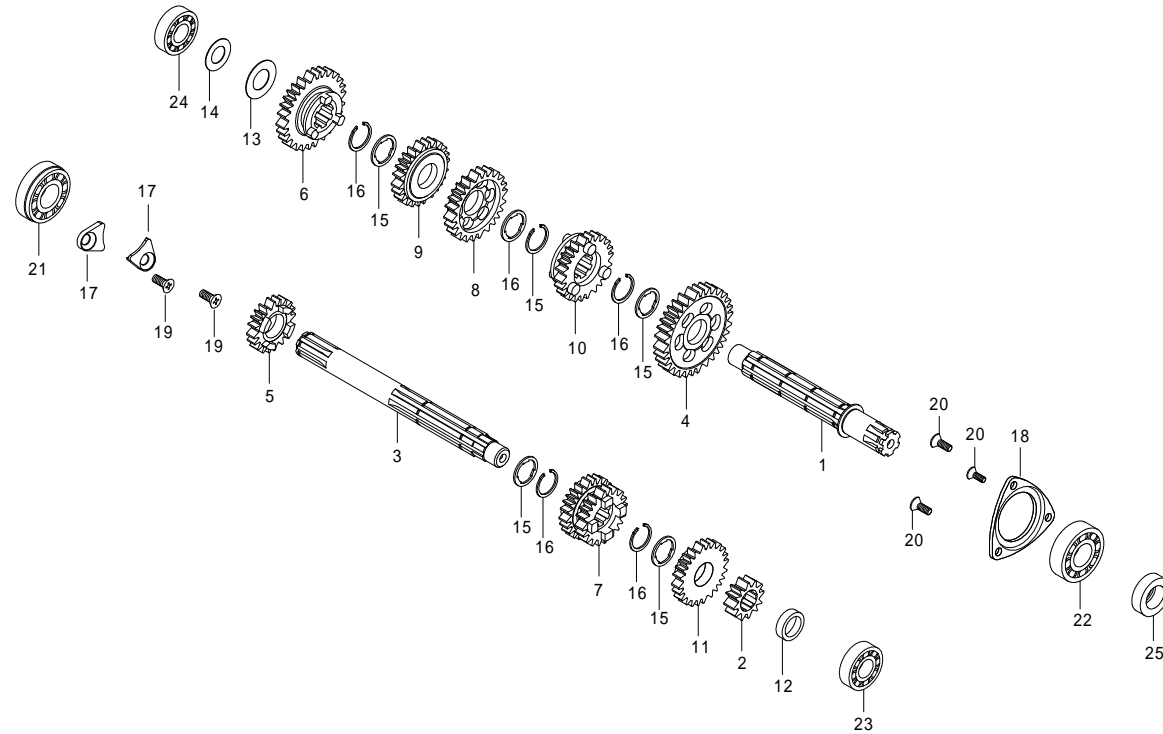
No.	Part No.	Part Name	Qty	In packs	Type	Not applicable serial	All applicable serial
1	23221-GB4-T10	Counter shaft	1	1			
2	23222-165-T20	Mainshaft 1ST gear 14T	1	1	Optional parts		
3	23216-165-T00	Mainshaft	1	1	Optional parts		
4	23421-086-T00	Counter shaft 1ST gear 33 T	1	1			
5	23431-086-T00	Mainshaft 2ND gear 18 T	1	1			
6	23441-086-T00	Counter shaft 2ND gear 29 T	1	1			
7	23451-086-T00	Mainshaft 3RD/4TH gear 21/24 T	1	1			
8	23461-086-T00	Counter shaft 3RD gear 25 T	1	1			
9	23481-086-T00	Counter shaft 4HT gear 23 T	1	1			
10	23501-086-T00	Counter shaft 5HT gear 21 T	1	1			
11	23491-086-T00	Mainshaft 5HT gear 26 T	1	1			
12	23911-GEF-T00	Cloar	1	1	Optional parts		
13	00-02-0073	Thrust washer, 12mm	1	2			
14	00-02-0074	Shim ring, 12X18X0.2	1	1			
15	00-02-0023	Spline washer, 17mm	5	5			
16	00-02-0005	External circlip, 17mm	5	5			
17	00-01-1040	Mainshaft fixing plate (with bolt)	2	1SET			
18	00-01-1041	Countershaft fixing plate (with bolt)	1	1SET			
19	00-00-0384	Flat screw, 6X12	2	2			

Transmission 4SMS (Super touring 5-Speed Dry-Type)



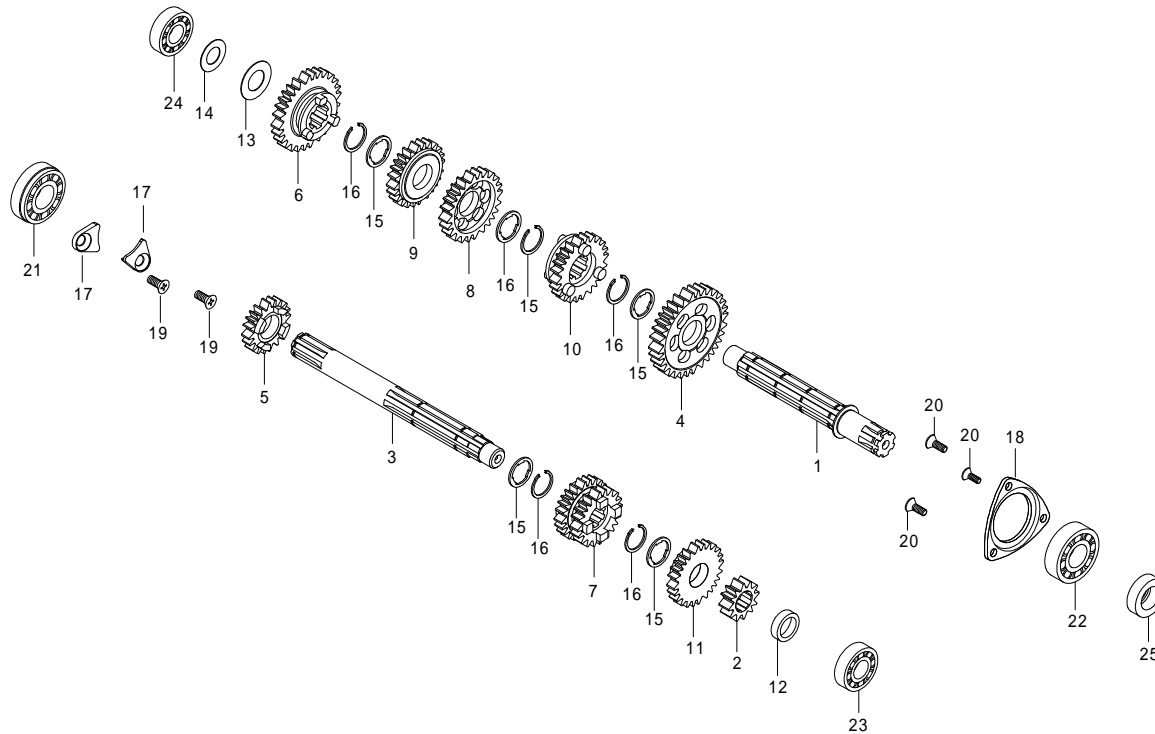
No.	Part No.	Part Name	Qty	In packs of	Type	Initial applicable serial No.	Final applicable serial No.
20	00-00-2778	Flat screw, 5X10	3	4			
21	96100-6203-T0	Radial ball bearing, 6203SPL	1	1			
22	00-02-0267	Radial ball bearing, 6203	1	1			
23	00-00-0021	Radial ball bearing, 6001	1	1			
24	00-00-0436	Radial ball bearing, 6201	1	1			
25	00-01-0309	Oil seal, 17X29X5	1	1			

Transmission 4SMS (Super street 5-Speed Dry-Type)



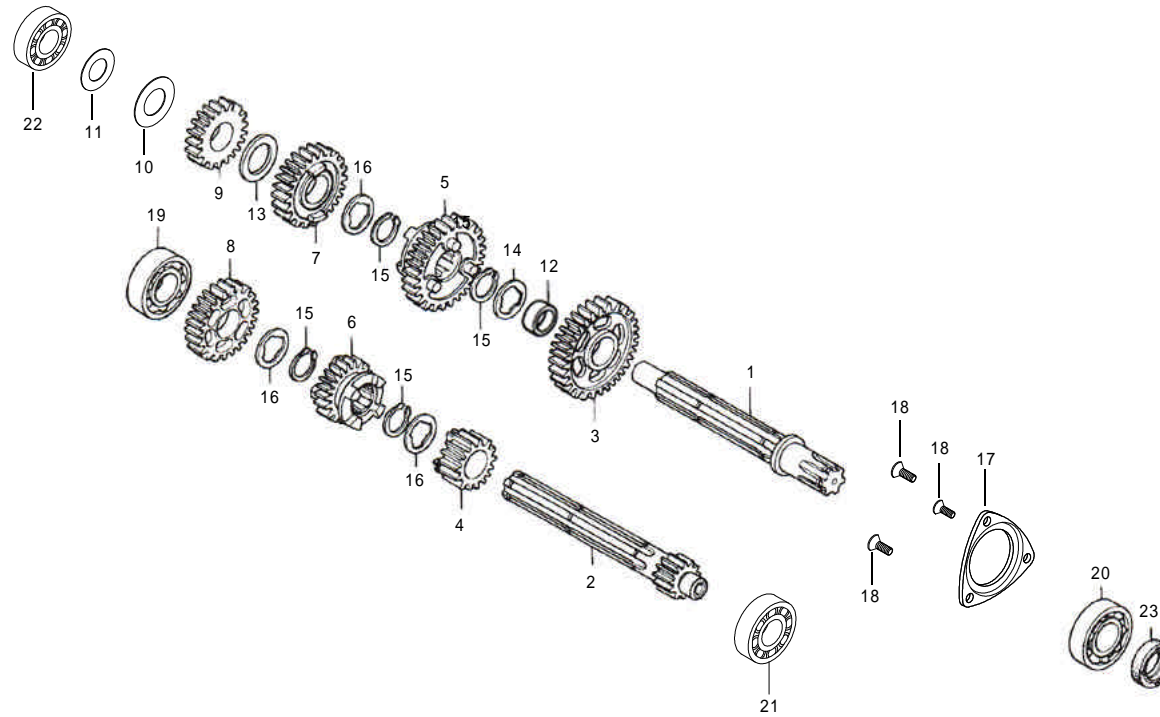
No.	Part No.	Part Name	Qty	In packs of	Type	Initial applicable serial No.	Final applicable serial No.
1	23221-GB4-T10	Countershaft	1	1			
2	23222-165-T20	Mainshaft 1ST gear 14 T	1	1	Optional parts		
3	23216-165-T00	Mainshaft	1	1	Optional parts		
4	23421-086-T00	Countershaft 1ST gear 33 T	1	1			
5	23431-GEL-T00	Mainshaft 2ND gear 17 T	1	1	Optional parts		
6	23441-GEL-T00	Countershaft 2ND gear 30 T	1	1	Optional parts		
7	23451-GEL-T00	Mainshaft 3RD/4TH gear 20/22 T	1	1	Optional parts		
8	23461-GEL-T00	Countershaft 3RD gear 28 T	1	1	Optional parts		
9	23481-GEL-T00	Countershaft 4HT gear 25 T	1	1	Optional parts		
10	23501-GEL-T00	Countershaft 5HT gear 24 T	1	1	Optional parts		
11	23491-GEL-T00	Mainshaft 5HT gear 24 T	1	1	Optional parts		
12	23911-GEF-T00	Collar	1	1	Optional parts		
13	00-02-0073	Thrust washer, 12mm	1	2			
14	00-02-0074	Shim ring, 12X18X0.2	1	1			
15	00-02-0023	Spline washer, 17mm	5	5			
16	00-02-0005	External circlip, 17mm	5	5			
17	00-01-1040	Mainshaft fixing plate (with bolt)	2	1SET			
18	00-01-1041	Countershaft fixing plate (with bolt)	1	1SET			
19	00-00-0384	Flat screw, 6X12	2	2			

Transmission 4SMS (Super street 5-Speed Dry-Type)



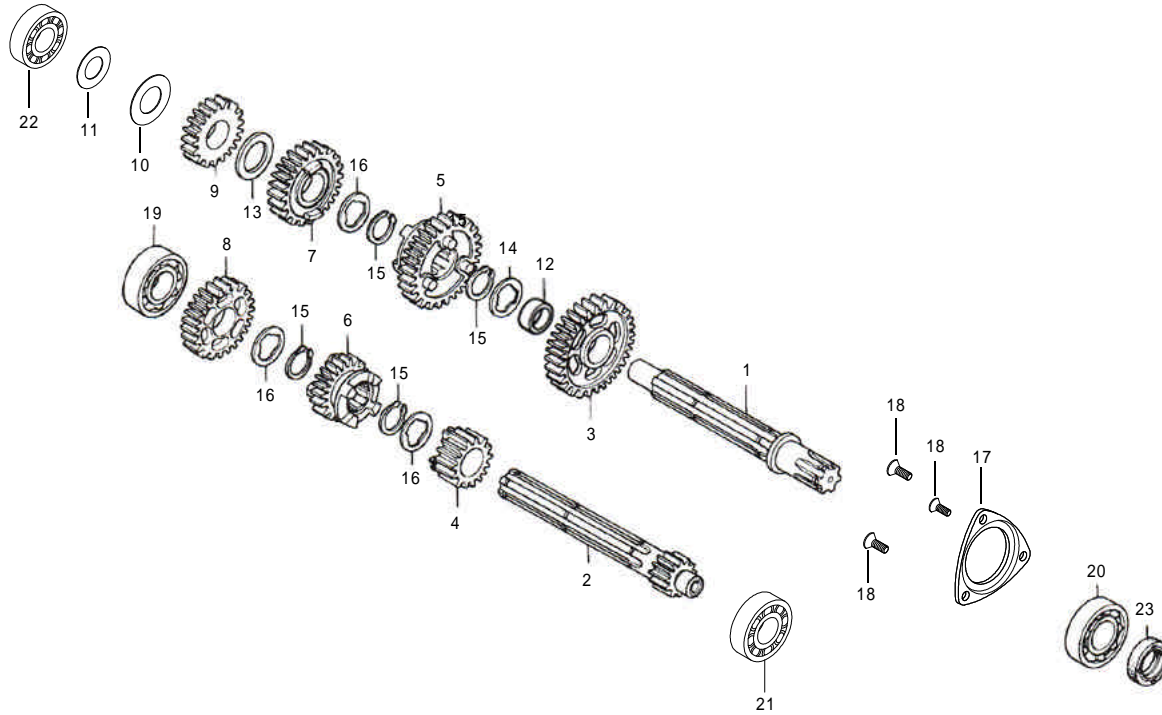
No.	Part No.	Part Name	Qty	In packs of	Type	Initial applicable serial No.	Final applicable serial No.
20	00-00-2778	Flat screw, 5 X10		3	4		
21	96100-6203-T0	Radial ball bearing, 6203SPL	1		1		
22	00-02-0267	Radial ball bearing, 6203	1		1		
23	00-00-0021	Radial ball bearing, 6001	1		1		
24	00-00-0436	Radial ball bearing, 6201	1		1		
25	00-01-0309	Oil seal, 17X29X5	1		1		

Transmission 4SMS (4-Speed Wet-Type)



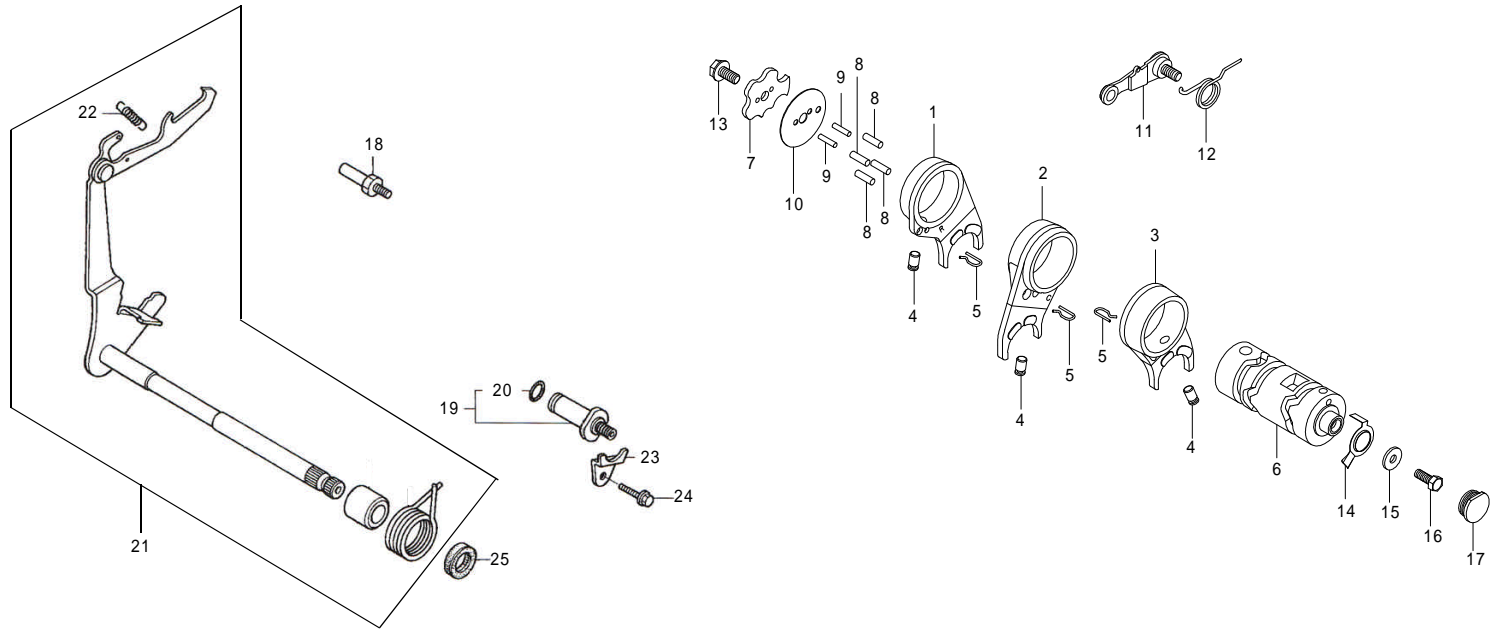
No.	Part No.	Part Name	Qty	In packs of	Type	Initial applicable serial No.	Final applicable serial No.
1	00-02-0072	Countershaft	1	1	Optional parts		
2	23211-KFL-T00	Mainshaft 1ST gear 13 T	1	1	Optional parts		
3	23421-GB7-T00	Countershaft 1ST gear 34 T	1	1			
4	23431-GB7-T00	Mainshaft 2ND gear 17 T	1	1	Optional parts		
5	23441-GB7-T00	Countershaft 2ND gear 31 T	1	1	Optional parts		
6	00-02-0008	Mainshaft 3RD gear 20 T	1	1	Optional parts		
7	00-02-0009	Countershaft 3RD gear 27 T	1	1	Optional parts		
8	23471-GB7-T00	Mainshaft 4HT gear 22 T	1	1	Optional parts		
9	23481-GB7-T00	Countershaft 4HT gear 24 T	1	1	Optional parts		
10	00-02-0073	Thrust washer, 12mm	1	2			
11	00-02-0074	Shim ring, 12X18X0.2	1	1			
12	00-02-0010	C-1 gear collar	1	1	Optional parts		
13	00-02-0121	Thrust washer, 17.2mm	1	2	Optional parts		
14	00-02-0075	Spline washer, B	1	1	Optional parts		
15	00-02-0005	External circlip, 17mm	4	5			
16	00-02-0023	Spline washer, 17mm	3	5			
17	00-01-1041	Countershaft fixing plate (with bolt)	1	1SET			
18	00-00-2778	Flat screw, 5X10	3	4			
19	96100-6203-T0	Radial ball bearing, 6203SPL	1	1			

Transmission 4SMS (4-Speed Wet-Type)



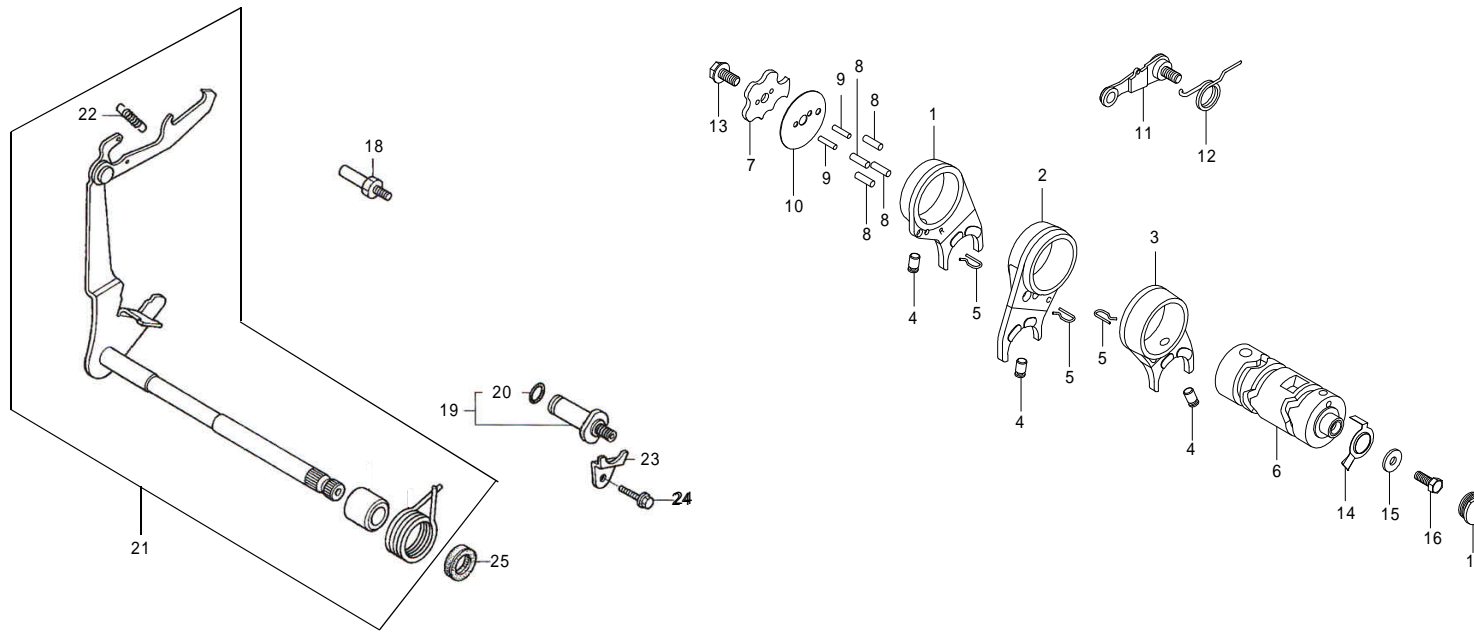
No.	Part No.	Part Name	Qty	In packs of	Type	Initial applicable serial No.	Final applicable serial No.
20	00-02-0267	Radial ball bearing, 6203	1	1			
21	00-00-0021	Radial ball bearing, 6001	1	1			
22	00-00-0436	Radial ball bearing, 6201	1	1			
23	00-01-0309	Oil seal, 17X29X5	1	1			

Shift drum/Shift fork 4SMS (5-Speed)



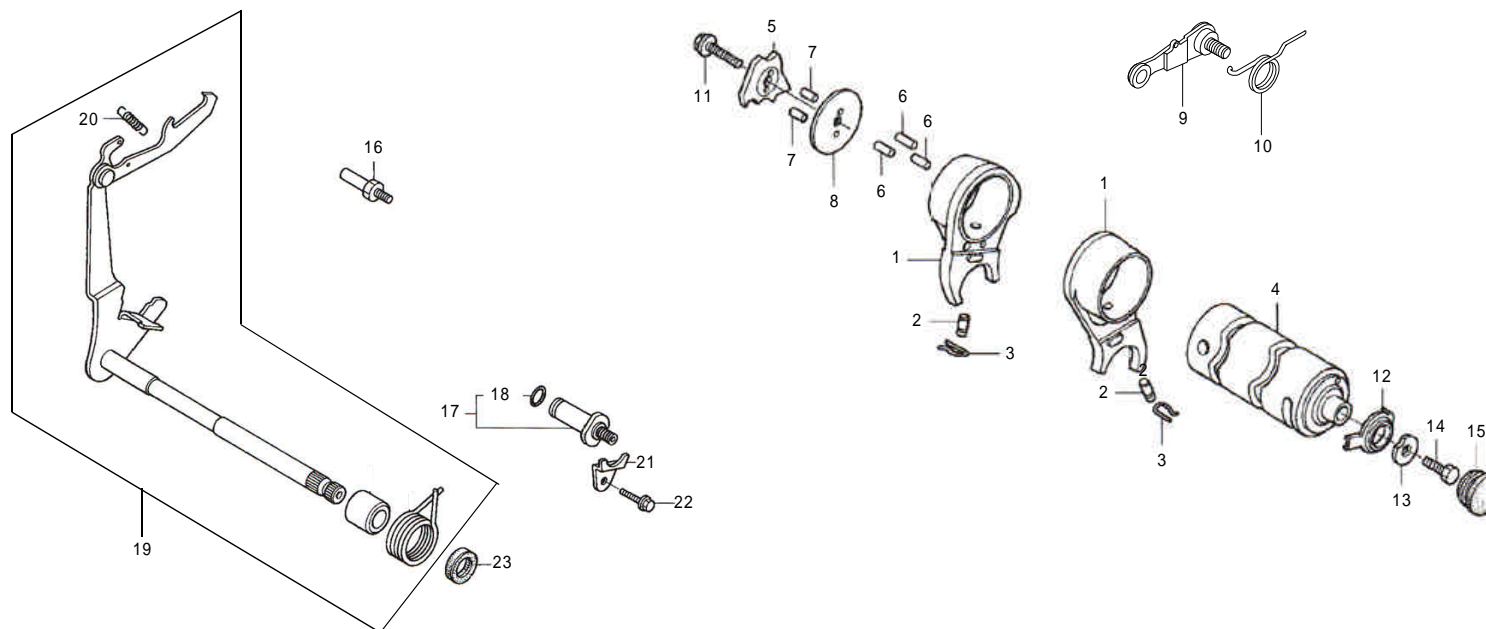
No.	Part No.	Part Name	Qty	In packs of	Type	Initial applicable serial No.	Final applicable serial No.
1	00-02-0014	Right-side gear shift fork	1	1			
2	00-02-0015	Center gear shift fork	1	1			
3	00-02-0016	Left-side gear shift fork	1	1			
4	00-02-0048	Gear shift fork pin	3	3			
5	24263-165-T00	Gear shift fork guide pin clip	3	1			
6	24301-181-T21	Gear shift drum	1	1			
7	24411-051-T01	Gear shift drum stopper plate	1	1			
8	00-02-0049	Gear shift drum pin, 4X10	4	5			
9	00-02-0054	Stopper plate setting pin	2	1			
10	00-02-0018	Gear shift drum side plate	1	1			
11	00-02-0025	Gear shift drum stopper arm COMP.	1	1	4SMS-123cc/138cc	4SMS-00001 ~	4SMS-00021
			1	1	4SMS-148cc	4SMS-20001 ~	4SMS-20040
11	24430-TCC-T00	Gear shift drum stopper arm COMP.	1	1	4SMS-123cc/138cc	4SMS-00022 ~	
			1	1	4SMS-148cc	4SMS-20041 ~	
12	24435-GEF-T00	Gear shift drum stopper spring	1	1	4SMS-123cc/138cc	4SMS-00001 ~	4SMS-00021
			1	1	4SMS-148cc	4SMS-20001 ~	4SMS-20040
12	00-02-0172	Gear shift drum stopper spring	1	1	4SMS-123cc/138cc	4SMS-00022 ~	
					4SMS-148cc	4SMS-20041 ~	
13	00-02-0013	Knock bolt, 6mm	1	1			

Shift drum/Shift fork 4SMS (5-Speed)



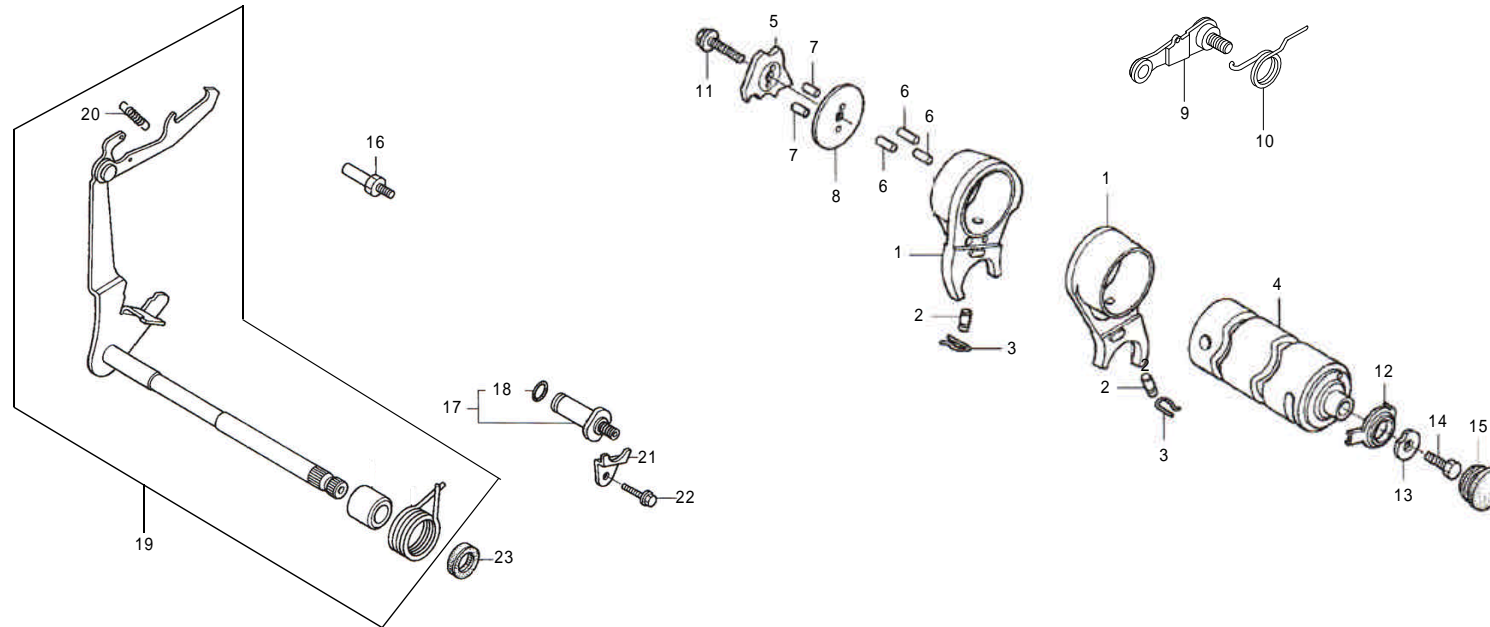
No.	Part No.	Part Name	Qty	In packs of	Type	Initial applicable serial No.	Final applicable serial No.
14	00-02-0118	Neutral switch rotor	1	1			
15	00-02-0050	Gear shift drum side washer	1	1			
16	00-00-0032	Hex bolt, 6X16	1	3			
17	00-02-0294	Rubber plug, 19mm	1	1			
18	00-01-0273	Shift return spring pin	1	1			
19	00-02-0295	Neutral switch contact	1	1			
20		O-ring, 7X1.7	1				
21	00-02-0268	Gear shift arm COMP.	1	1			
22	00-02-0269	Gear shift arm spring	1	1			
23	00-02-0296	Contact fixing plate	1	1			
24	00-00-0431	Flange bolt, 6X12	1	2			
25	00-01-0310	Oil sear, 11.6X24X10	1	1			

Shift drum/Shift fork 4SMS (4-Speed)



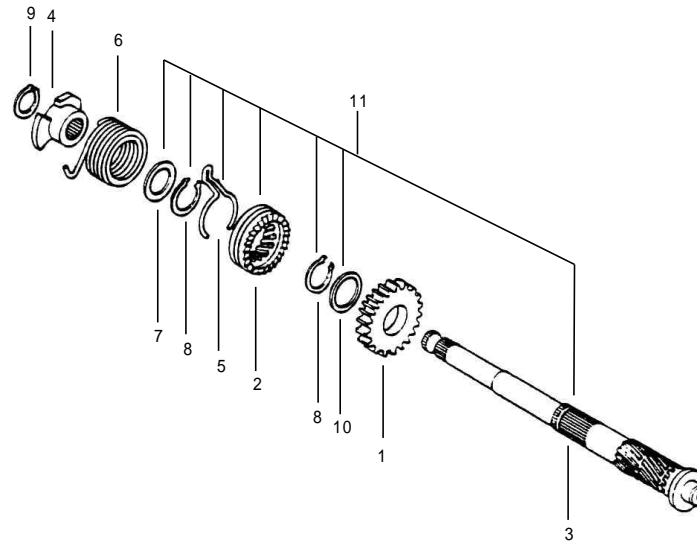
No.	Part No.	Part Name	Qty	In packs of	Type	Initial applicable serial No.	Final applicable serial No.
1	00-02-0076	Gear shift fork	2	1	Optional parts		
2	00-02-0048	Gear shift fork guide pin	2	3	Optional parts		
3	24263-165-T00	Gear shift fork guide pin clip	2	1	Optional parts		
4	00-02-0077	Gear shift drum	1	1	Optional parts		
5	00-02-0078	Gear shift drum stopper plate	1	1	Optional parts		
6	00-02-0051	Gear shift drum pin	3	5	Optional parts		
7	00-02-0057	Gear shift drum plate pin	2	1	Optional parts		
8	00-02-0018	Gear shift drum side plate	1	1			
9	00-02-0025	Gear shift drum stopper arm COMP.	1	1	4SMS-123cc/138cc	4SMS-00001 ~	4SMS-00021
			1	1	4SMS-148cc	4SMS-20001 ~	4SMS-20040
9	24430-TCC-T00	Gear shift drum stopper arm COMP.	1	1	4SMS-123cc/138cc	4SMS-00022 ~	
			1	1	4SMS-148cc	4SMS-20041 ~	
10	24435-GEF-T00	Gear shift drum stopper spring	1	1	4SMS-123cc/138cc	4SMS-00001 ~	4SMS-00021
			1	1	4SMS-148cc	4SMS-20001 ~	4SMS-20040
10	00-02-0172	Gear shift drum stopper spring	1	1	4SMS-123cc/138cc	4SMS-00022 ~	
					4SMS-148cc	4SMS-20041 ~	
11	00-02-0013	Knock bolt, 6mm	1	1			
12	00-02-0058	Neutral switch rotor	1	1	Optional parts		
13	00-02-0050	Gear shift drum side washer	1	1			

Shift drum/Shift fork 4SMS (4-Speed)



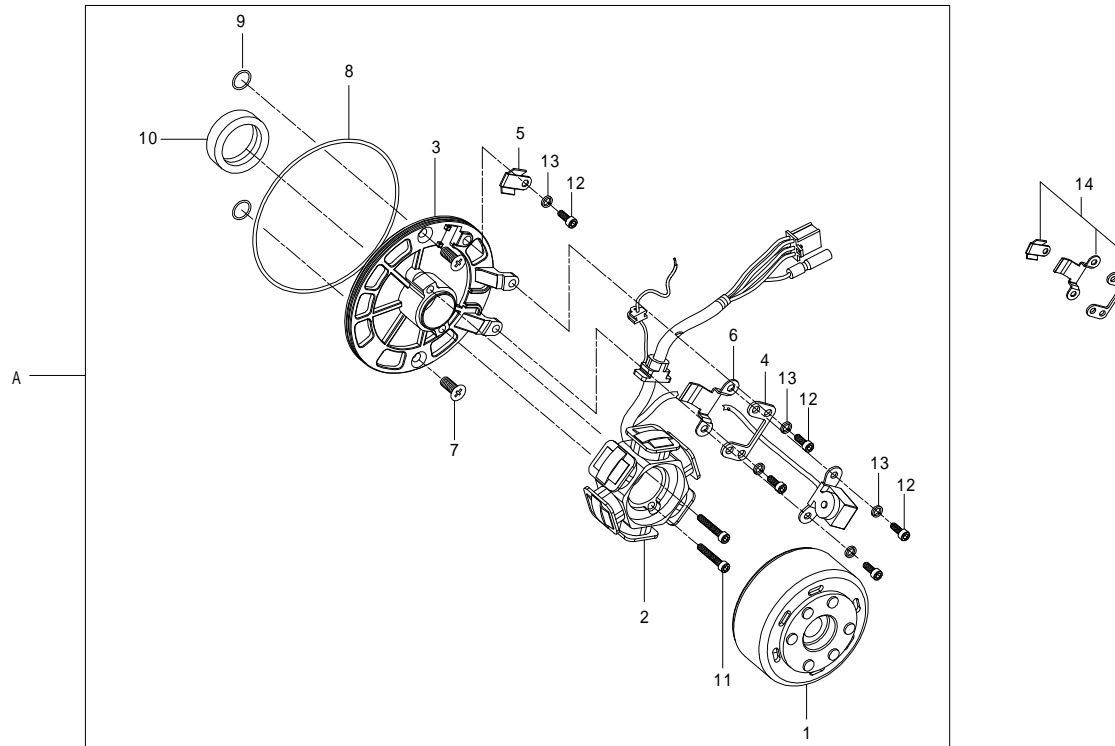
No.	Part No.	Part Name	Qty	In packs of	Type	Initial applicable serial No.	Final applicable serial No.
14	00-00-0032	Hex bolt, 6X16	1	3			
15	00-02-0294	Rubber plug, 19mm	1	1			
16	00-01-0273	Shift return spring pin	1	1			
17	00-02-0295	Neutral switch contact	1	1			
18		O-ring, 7X1.7	1				
19	00-02-0268	Gear shift arm COMP.	1	1			
20	00-02-0269	Gear shift arm spring	1	1			
21	00-02-0296	Contact fixing plate	1	1			
22	00-00-0431	Flange bolt, 6X12	1	2			
23	00-01-0310	Oil seal, 11.6X24X10	1	1			

Kick starter spindle 4SMS



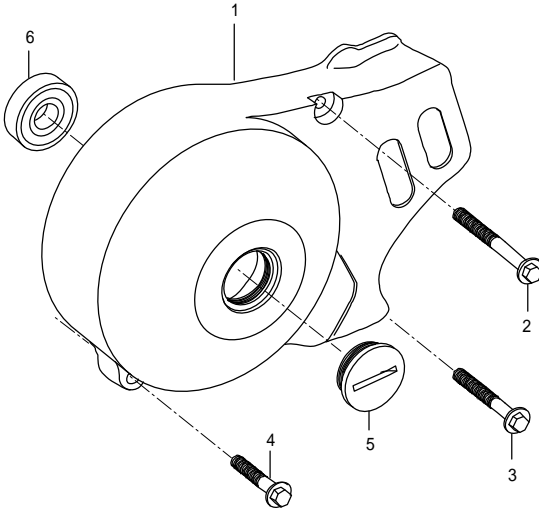
No.	Part No.	Part Name	Qty	In packs of	Type	Initial applicable serial No.	Final applicable serial No.
1	28211-165-T20	Kick starter pinion, 25T	1	1	5-Speed		
	28211-GEF-T00	Kick starter pinion, 24T	1	1	4-Speed (Optional parts)		
2	00-02-0288	Kick starter drive ratchet	1	1			
3	28251-086-T00	Kick starter spindle	1	1			
4	00-02-0289	Kick spring retainer	1	1			
5	00-02-0290	Starter pinion friction spring	1	1			
6	00-02-0291	Kick starter spring	1	1			
7	00-02-0293	Washer, 17mm	1	1			
8	00-01-0030	Set ring, 20mm	2	6			
9	00-01-0012	External circlip, 16mm	1	3			
10	00-02-0292	Thrust washer, 20mm	1	1			
11	02-04-0011	Kick starter spindle set		1SET			

Generator 4SMS



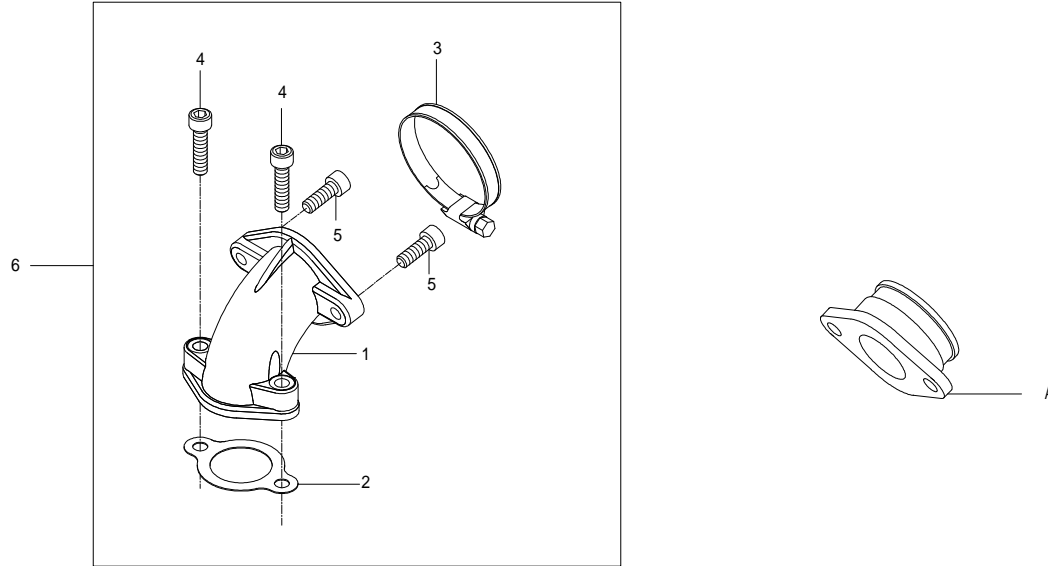
No.	Part No.	Part Name	Qty	In packs of	Type	Initial applicable serial No.	Final applicable serial No.
1	00-05-0037	Flywheel	1	1			
2		Stator COMP.	1				
3	00-05-0040	Base, stator	1	1			
4		Bracket	1				
5		Clamp A	1				
6		Clamp B	1				
7	00-00-0320	Flat screw, 6X16	2	2			
8	00-01-0256	O-ring, 107X2.0	1	1			
9	00-05-0107	O-ring, 6X1.7	2	2			
10	00-05-0108	Oil seal, 19X30X5	1	1			
11	00-00-0264	Socket cap screw, 5X20	2	2			
12	00-00-0321	Socket cap screw, 5X8	5	5			
13	00-00-0309	Spring washer, 5mm	5	5			
14	00-05-0039	Plate set		@1			
A	05-02-0009	S/S rotor kit		1SET			

Left-side crankcase cover 4SMS



No.	Part No.	Part Name	Qty	In packs of	Type	Initial applicable serial No.	Final applicable serial No.
1	11340-GEF-T10-C	Left-side crankcase cover COMP.	1	1			
2	00-00-0361	Flange bolt, 6X45	1	1			
3	00-00-0180	Flange bolt, 6X35	1	4			
4	00-00-0206	Flange bolt, 6X32	1	5			
5	90087-181-T01	Generator cover cap	1	1			
6	00-01-1029	Radial ball bearing, 6200	1	1			

Inlet pipe 4SMS



No.	Part No.	Part Name	Qty	In packs of	Type	Initial applicable serial No.	Final applicable serial No.
1		Inlet pipe	1				
2	00-03-0007	Inlet pipe gasket	1	2			
3	00-00-0050	Insulator band	1	1			
4	00-00-0089	Socket cap screw, 6X25	2	10			
5	00-00-0042	Socket cap screw, 6X15	2	10			
6	06171-4SM-T00	Inlet pipe set		1SET			
A	00-03-0210	Rubber insulator		1	Optional parts, MIKUNI VM26		
	00-03-0211	Rubber insulator		1	Optional parts, KEIHIN PE28		

These parts lists are as of September 1, 2011.

Please check the part contents at the time of opening the pack. No complaint after installation of these parts can be accepted.

Please be informed that, mainly because of improvement in performance, design changes, and cost increase, the part specifications, Part Nos, and prices are subject to change without prior notice.

Regrettably, we are not in a position to guarantee the storage period of parts for the reasons of productive and administrative restrictions.

Item No. : 1 0 0 1 0 2 5 0

SPECIAL PARTS TAKEGAWA Co.,Ltd.

3-5-16 Nishikiorihigashi Tondabayashi Osaka Japan

TEL : 81-721-25-1357 FAX : 81-721-24-5059

URL : <http://www.takegawa.co.jp>