



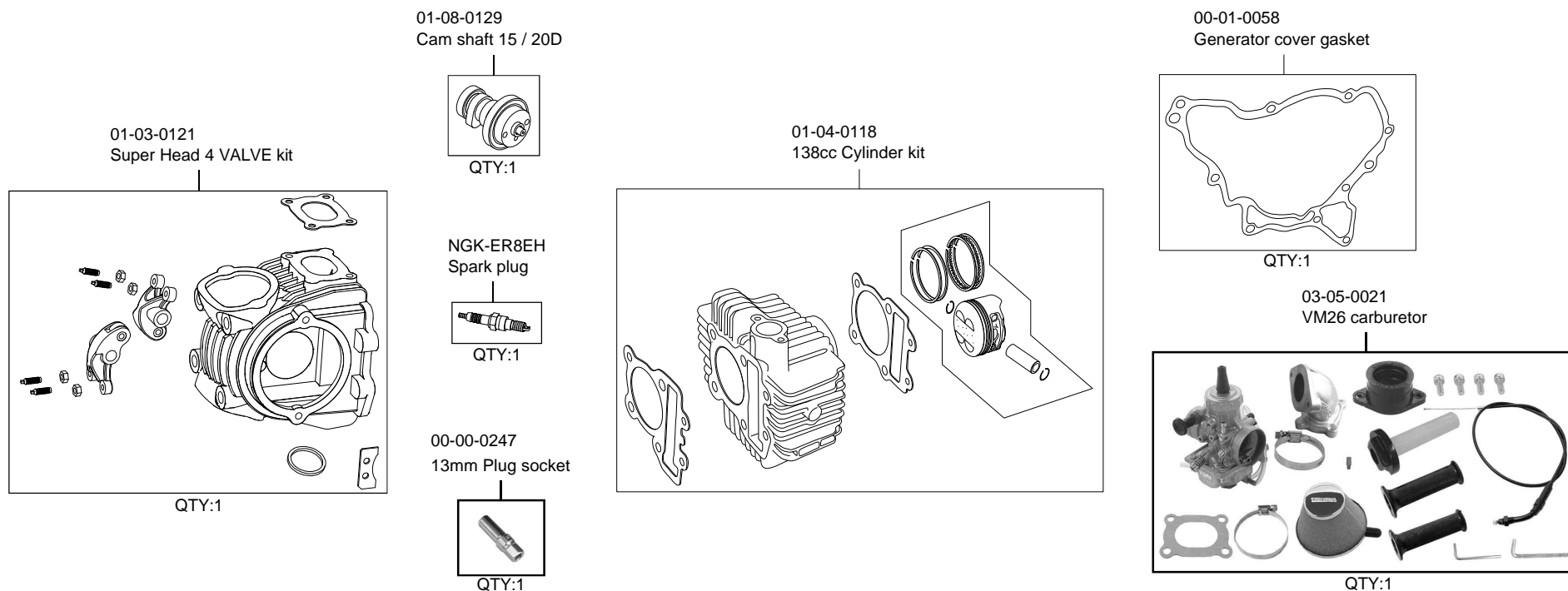
# SUPER HEAD 4VALVE 138cc Combo Kit

- Thank you for purchasing one of our TAKEGAWA products. Please strictly follow the instructions in installing and using the kit.
- This is a kit combining the Super Head 4VALVE / Bore-Up (59 x 50.6 138.3 cc), newly designed for KSR110, and VM26 carburetor.
- Before installing the kit, please be sure to check the kit contents. Should you have any questions about the kit, please contact your local TAKEGAWA dealer.

**Please note: Illustrations and photos may vary from actual hardware.**

Item No. : 01 - 05 8813  
Applicable model and frame Nos:  
KSR110 : KL110A-000001 ~

## ~ Kit Contents ~



## Please read the following before starting the installation

This kit is designed for exclusive use for the closed racing. So never use this kit for running on a public road.

We do not take any responsibility for any accident or damage whatsoever arising from the use of the products not in conformity with the instructions in the manual.

This kit is designed for exclusive use in the above-mentioned applicable model and frame numbers only. Please take note that this kit cannot be mounted on other models.

Please be informed that, mainly because of improvement in performance, design changes, and cost increase, the product specifications and prices are subject to change without prior notice.

**SPECIAL PARTS TAKEGAWA** Co.,Ltd.  
3-5-16 Nishikiorihigashi Tondabayashi Osaka Japan  
TEL : 81-721-25-1357 FAX : 81-721-24-5059 URL : <http://www.takegawa.co.jp>